

REV.	SPECIFICATION	ECN NO.	APPD.
X3			

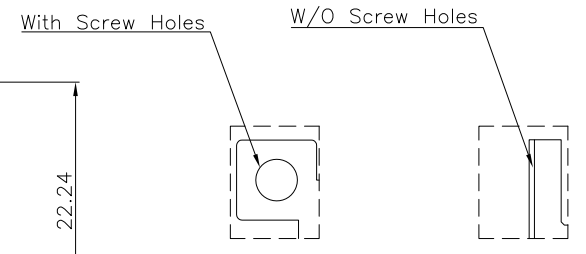
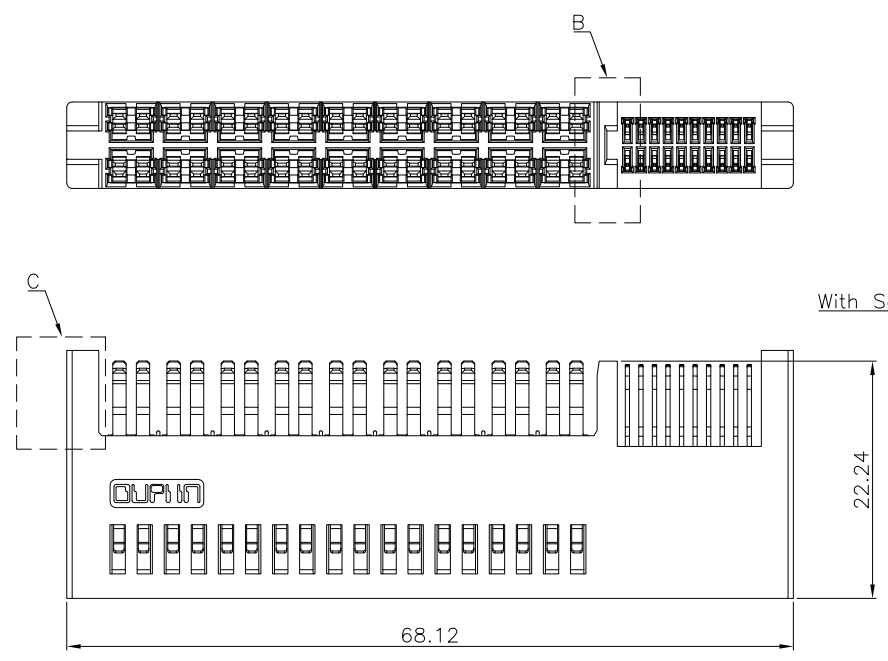
Material and Plating:

Housing: LCP, UL94V-0 ,Black.
Power Contacts: High Conductivity Copper .
 30u" Au +Pd/Ni on Contact Area and 80u" Min Tin Plated on Solder Tail over nickel 50u" Min .
Signal Contacts : Phosphor Bronze.
 30u" Au +Pd/Ni on Contact Area and 80u" Min Tin Plated on Solder Tail over nickel 50u" Min .

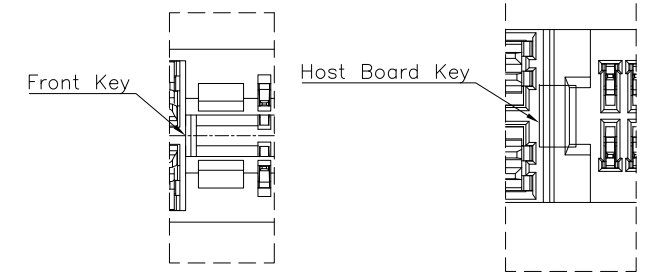
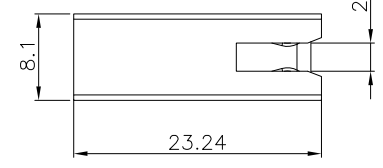
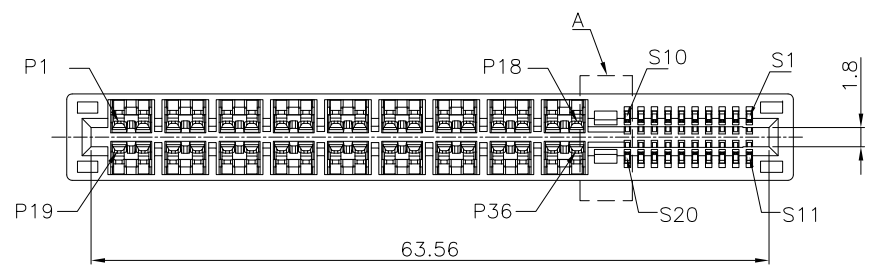
Electrical Characteristics:

Current Rating: Signal Pin 1.0 A.
 Power Pin 33 A.
Dielectric Withstanding Voltage:
 Signal Pin AC 500V For 1 minute.
 Power Pin AC 500V For 1 minute.
Insulator Resistance: Signal Pin 500MΩ min. at DC 500V.
 Power Pin 500MΩ min. at DC 500V.
Contact Resistance: Signal Pin 30mΩ max.
 Power Pin 5mΩ max.
Operating Temperature: -40°C ~+105°C.

***RoHS Compliant**



Detail C
Scale 1:1



Detail A
Scale 2:1

Detail B
Scale 2:1

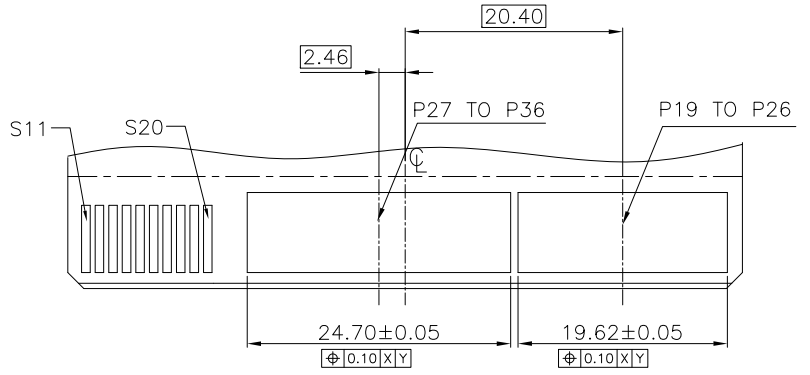
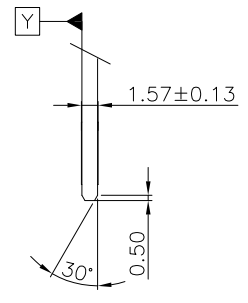
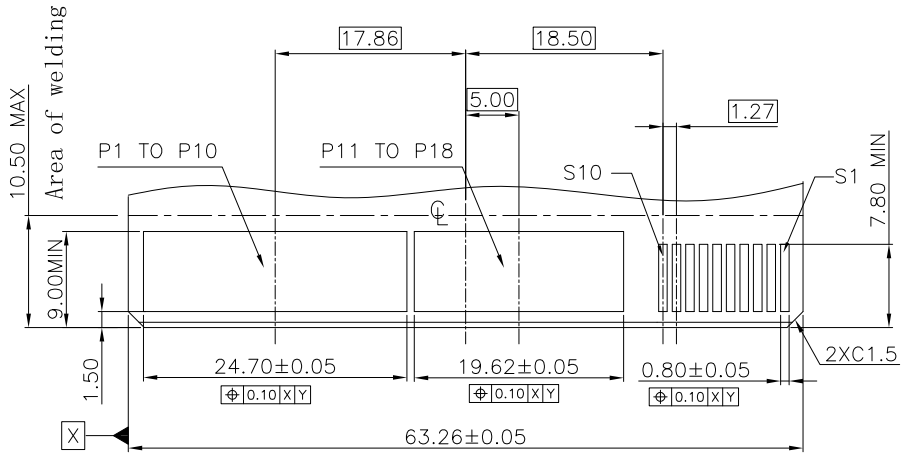
9309-A 2 P36S20 B7 K A A01
 Series
 2:Female Straight
 P36S20: P36+S20
 B7:CB30
 A01: W/O Front Key,
 With Host Board Key, W/O Screw Holes
 A:Tray Package
 K:Straddle Type

Tolerances	Dwg No.	9309-DP36S20-002	
x = ±0.5	Projection		
.x = ±0.35	Unit	mm	Scale 1:1
.xx = ±0.25	Drawn By	WP 09/06'23	

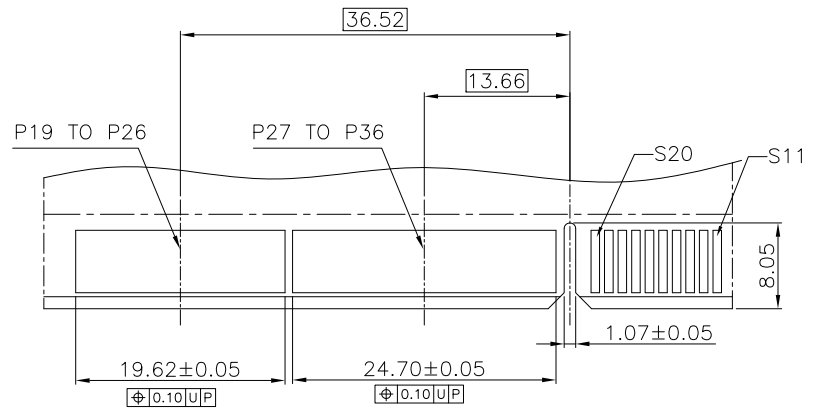
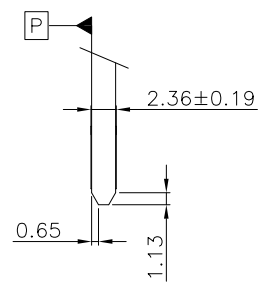
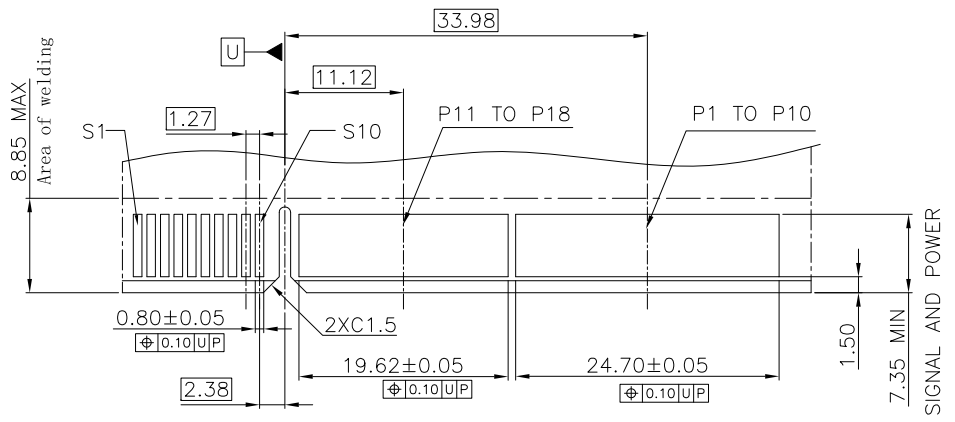
Title:
 9309-A Series
 High Power and Signal
 Edge Card Connector

OUPIIN			
OUPIIN ELECTRONIC(KUNSHAN) CO., LTD.			
P/N: 9309-A2P36S20B7KAA01			
SHEET	1/2	Ver.No.	X3

REV.	SPECIFICATION	ECN NO.	APPD.
X3			



Recommended Card Layout
(Tolerance:±0.05)



Recommended Host Board Layout
(Tolerance:±0.05)

Tolerances	Dwg No.	9309-DP36S20-002	
x = ±0.5	Projection		
.x = ±0.35	Unit	mm	Scale 1:1
.xx = ±0.25	Drawn By	WP 09/06'23	

Title:
9309-A Series
High Power and Signal
Edge Card Connector

OUPIN
OUPIN ELECTRONIC(KUNSHAN) CO., LTD.
P/N: 9309-A2P36S20B7KAA01

SHEET	2/2	Ver.No.	X3
-------	-----	---------	----