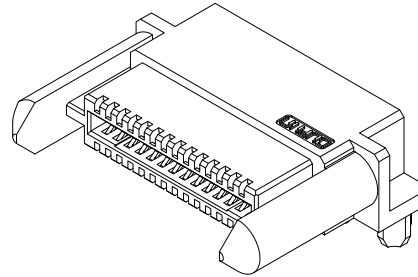
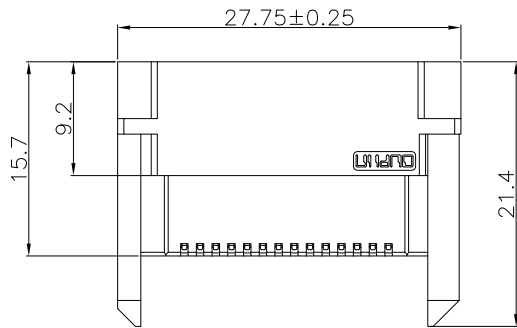


REV.	SPECIFICATION	ECN NO.	APPD.
R2		ECN230636	



Material and Plating:

Housing: LCP, UL94V-0, Black.

Cover: LCP, UL94V-0, Black.

Signal Contacts : Phosphor Bronze.

30u" Au+Pd/Ni Plated on Contact Area and 80u" Min Matte Tin Plated on Solder Tail over Nickel 50u" Min .

Electrical Characteristics:

Current Rating: 1.5 AMP.

Rating Voltage: 30V DC.

Insulator Resistance: 5000MΩ min. at DC 500V.

Dielectric Withstanding Voltage: DC 1500V For 1 minute.

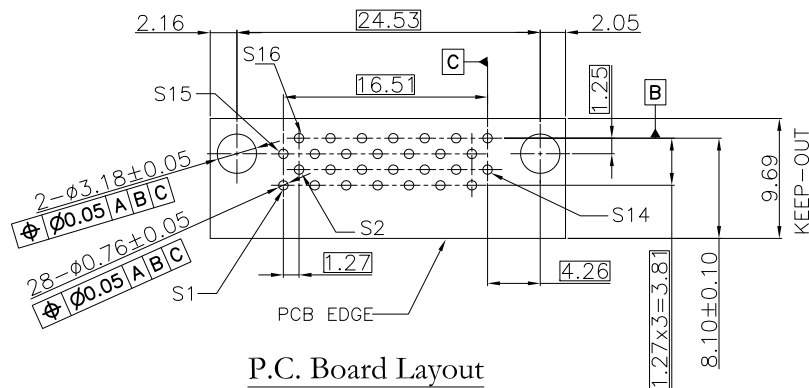
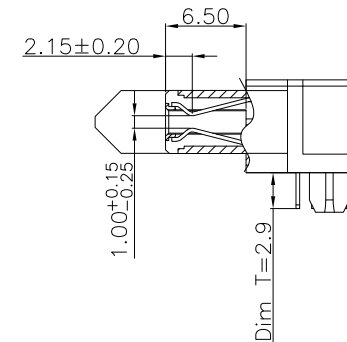
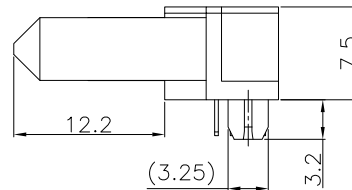
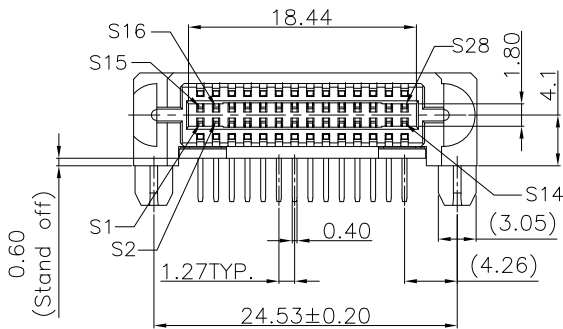
Contact Resistance: 45mΩ max. at DC 20mA.

Operating Temperature: -40°C ~+105°C.

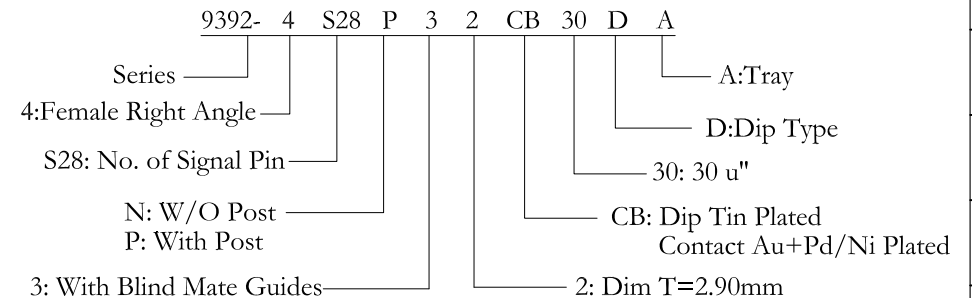
***RoHS Compliant**

Notes:

1.IR Reflow & PIP Profile: 260°C±5°C, 10s & 217°C, 60~150s.



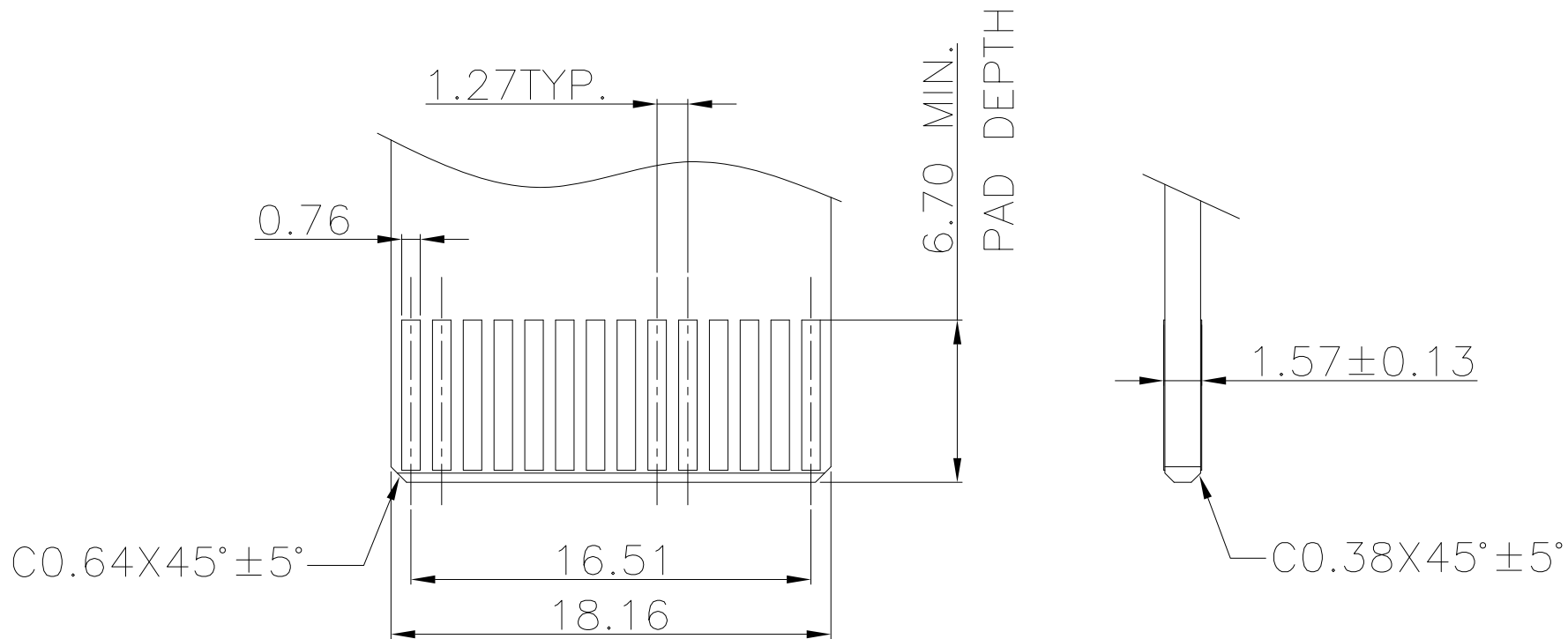
P.C. Board Layout
(Tolerance:±0.05)



Tolerances	Dwg. No.	9392-D0000-084		Title:
x = ±0.5	Projection			9392 Series Low Profile Hybrid Signal Receptacle
.x = ±0.25	Unit	mm	Scale 1:1	
.xx = ±0.15	Drawn By	JCQ 06/27'23		

OUPIIN ELECTRONIC(KUNSHAN) CO., LTD.			
P/N: 9392-4S28P32CB30DA			
SHEET	1/2	Ver.No.	R2

REV.	SPECIFICATION	ECN NO.	APPD.
R2		ECN230636	



Recommended Edge Card Layout
(Tolerance: ±0.05)

Tolerances	Dwg. No.	9392-D0000-084		Title:		
x = ±0.5	Projection			9392 Series Low Profile Hybrid Signal Receptacle		
.x = ±0.25	Unit	mm	Scale			1:1
.xx = ±0.15	Drawn By	JCQ	06/27'23			

OUPIIN ELECTRONIC(KUNSHAN) CO., LTD.			
P/N:9392-4S28P32CB30DA			
SHEET	2/2	Ver.No.	R2