

歐品電子(昆山)有限公司

OUPIIN ELECTRONIC(KUNSHAN) CO.,LTD.

PACKAGING SPECIFICATION (包裝作業規範)

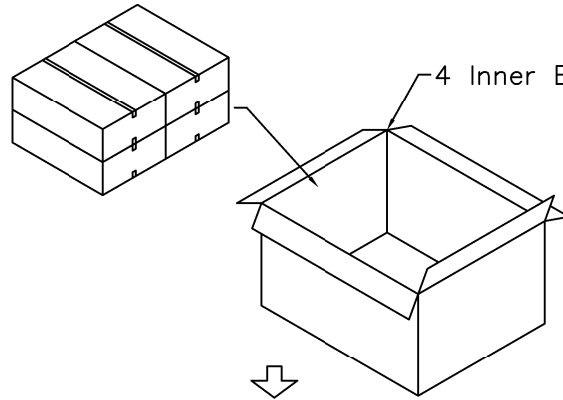
SPEC.NO.(規範編號)	8930SPP	適用產品: 8930-C133152xBAxxRB	PAGE	1/1	REV.	I780
----------------	---------	---------------------------	------	-----	------	------

PACKING OPERATION DIAGRAM & INSTRUCTION (包裝作業圖示及說明)

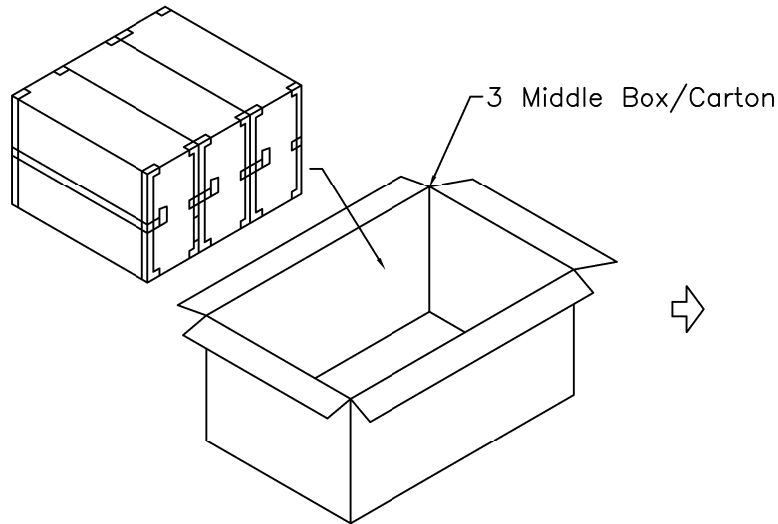
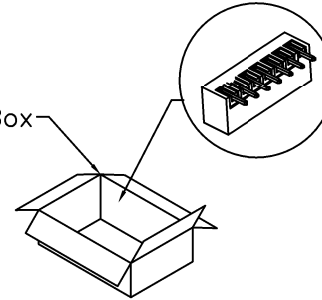
REMARK (備註)

Package:

Positions	Psc/ Inner Box	Psc/ Middle Box	Psc/ Carton	Carton: N.W/kg	Carton: G.W/kg
2X2	550	2200	6600	7.72	9.72
2X3	400	1600	4800	8.45	10.45
2X4	280	1120	3360	7.63	9.63
2X5	280	1120	3360	9.48	11.48
2X6	220	880	2640	8.76	10.76
2X7	195	780	2360	8.93	10.93
2X8	165	660	1980	8.75	10.75
2X9	140	560	1680	8.35	10.35
2X10	140	560	1680	9.27	11.27
2X11	110	440	1320	7.94	9.94
2X12	110	440	1320	8.73	10.73
2X13	100	400	1200	9.42	11.42
2X14	80	320	960	7.36	9.36
2X15	80	320	960	7.89	9.89
2X16	80	320	960	8.40	10.40
2X17	80	320	960	8.94	10.94
2X18	55	220	660	6.48	8.48
2X19	55	220	660	6.87	8.87
2X20	55	220	660	7.20	9.20
2X21	55	220	660	7.53	9.53
2X22	55	220	660	7.86	9.86
2X23	55	220	660	8.26	10.26
2X24	55	220	660	8.59	10.59



X Pcs/Inner Box



Carton:518(mm)X286(mm)X241(mm)

Middle Box:273(mm)X216(mm)X159(mm)

Drawn By: Martin 05/03'21