

歐品電子(昆山)有限公司

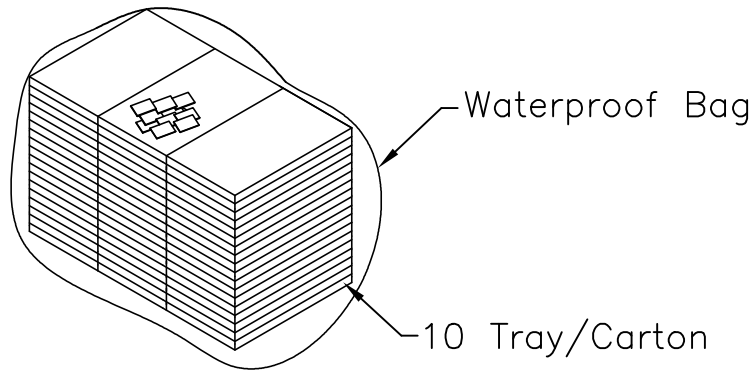
OUPIIN ELECTRONIC(KUNSHAN) CO.,LTD.

PACKAGING SPECIFICATION (包裝作業規範)

SPEC.NO.(規範編號)	8949SPP-AID	適用產品: 8949-AID2888-xxS1BA	PAGE	1/1	REV.	I563
----------------	-------------	---------------------------	------	-----	------	------

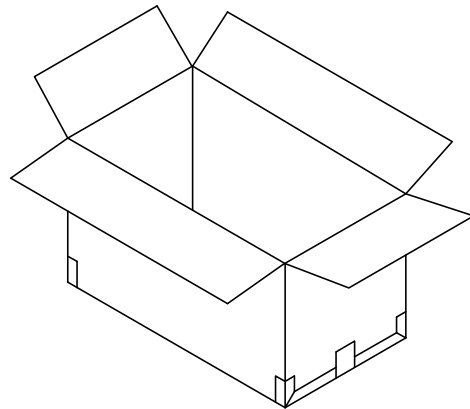
PACKING OPERATION DIAGRAM & INSTRUCTION (包裝作業圖示及說明)

REMARK (備註)

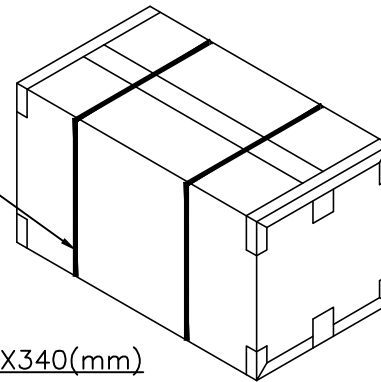


Package:
20 Pcs/ Tray
10 Tray/ Carton
200 Pcs/ Carton

N.W. : 9.5 kg
G.W. : 11.5 kg



Packaging Strap



Carton 350(mm)X280(mm)X340(mm)

Drawn By: Jerry 12/13'19