

# 歐品電子(昆山)有限公司

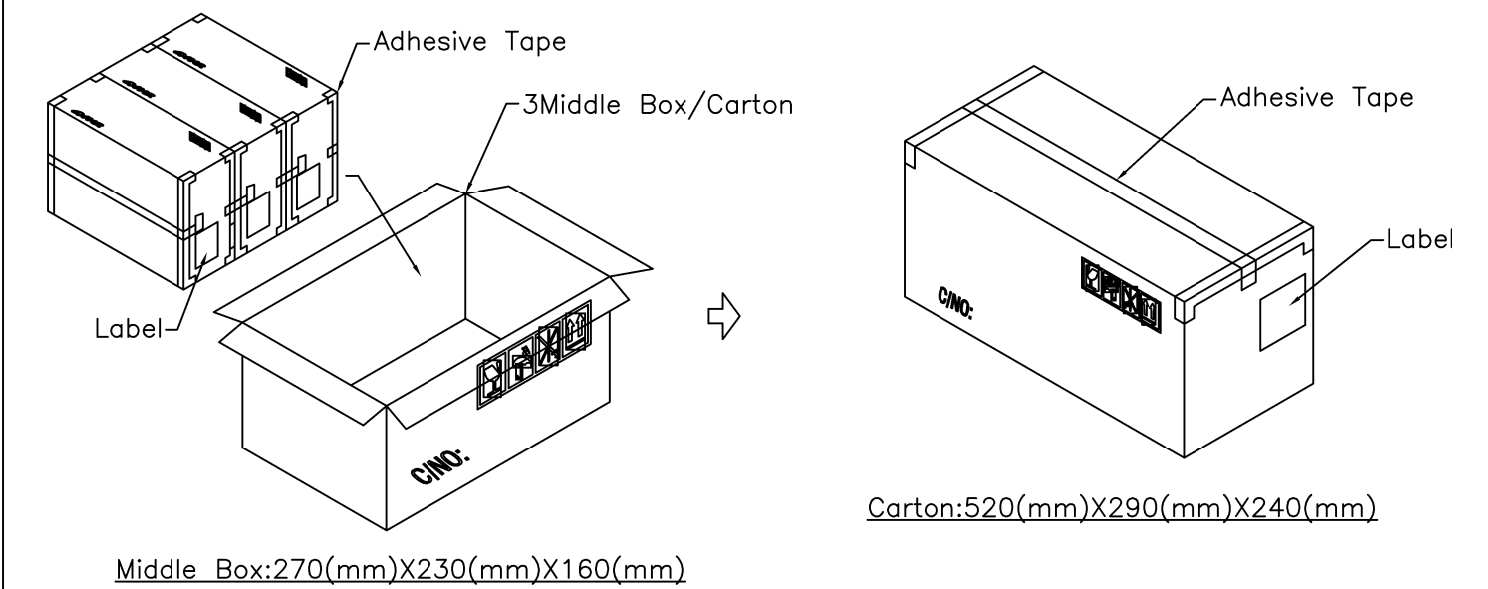
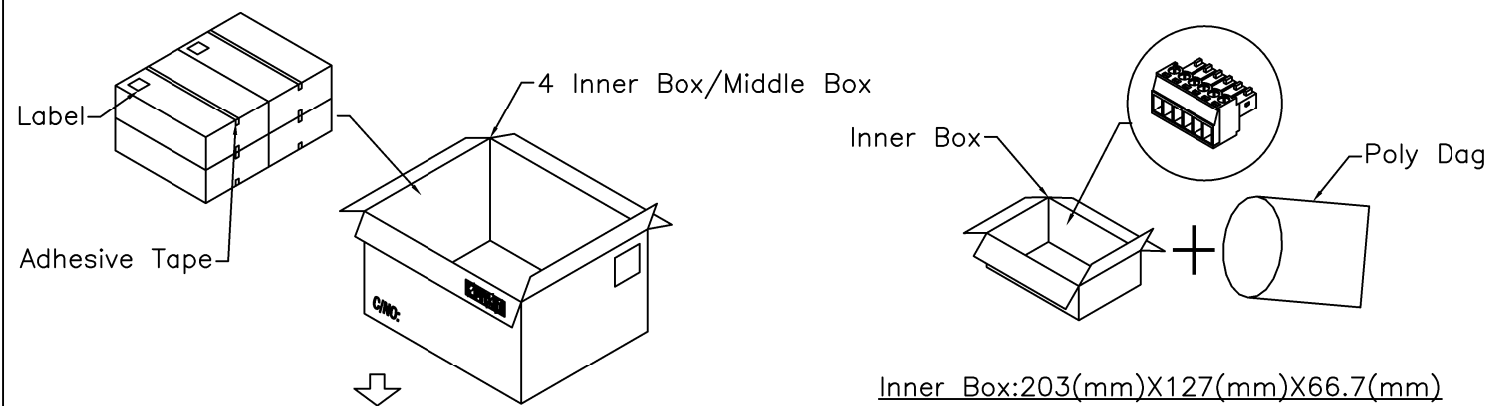
OUPIIN ELECTRONIC(KUNSHAN) CO.,LTD.

PACKAGING SPECIFICATION (包裝作業規範)

SPEC.NO.(規範編號) 8934SPP-C078229B 8934-C078229GCDxxB PAGE 1/1 REV. I780-A2

PACKING OPERATION DIAGRAM & INSTRUCTION (包裝作業圖示及說明)

REMARK (備註)



Packing:

| Positions | Pcs/<br>Inner Box | Pcs/<br>Middel Box | Pcs/<br>Carton | Carton:<br>N.W: kg | Carton:<br>G.W: kg |
|-----------|-------------------|--------------------|----------------|--------------------|--------------------|
| 02P       | 600               | 2400               | 7200           | 9.81               | 12.11              |
| 03P       | 420               | 1680               | 5040           | 10.02              | 12.32              |
| 04P       | 400               | 1600               | 4800           | 12.64              | 14.94              |
| 05P       | 350               | 1400               | 4200           | 13.81              | 16.70              |
| 06P       | 315               | 1260               | 3780           | 14.77              | 17.67              |
| 07P       | 245               | 980                | 2940           | 13.16              | 16.06              |
| 08P       | 180               | 720                | 2160           | 11.25              | 14.14              |
| 09P       | 210               | 840                | 2520           | 14.57              | 17.47              |
| 10P       | 175               | 700                | 2100           | 13.60              | 16.50              |
| 11P       | 175               | 700                | 2100           | 14.91              | 17.80              |
| 12P       | 140               | 560                | 1680           | 13.02              | 15.92              |
| 13P       | 140               | 560                | 1680           | 14.07              | 16.96              |
| 14P       | 140               | 560                | 1680           | 15.16              | 18.06              |
| 15P       | 105               | 420                | 1260           | 12.11              | 15.00              |
| 16P       | 105               | 420                | 1260           | 12.92              | 15.82              |
| 17P       | 105               | 420                | 1260           | 13.63              | 16.53              |
| 18P       | 105               | 420                | 1260           | 14.46              | 17.35              |
| 19P       | 105               | 420                | 1260           | 15.22              | 18.11              |
| 20P       | 70                | 280                | 840            | 10.80              | 13.69              |
| 21P       | 70                | 280                | 840            | 11.21              | 14.11              |
| 22P       | 70                | 280                | 840            | 11.75              | 14.64              |
| 23P       | 70                | 280                | 840            | 12.28              | 15.17              |
| 24P       | 70                | 280                | 840            | 12.81              | 15.71              |

Drawn By: Emma 07/29'20