

歐品電子(昆山)有限公司

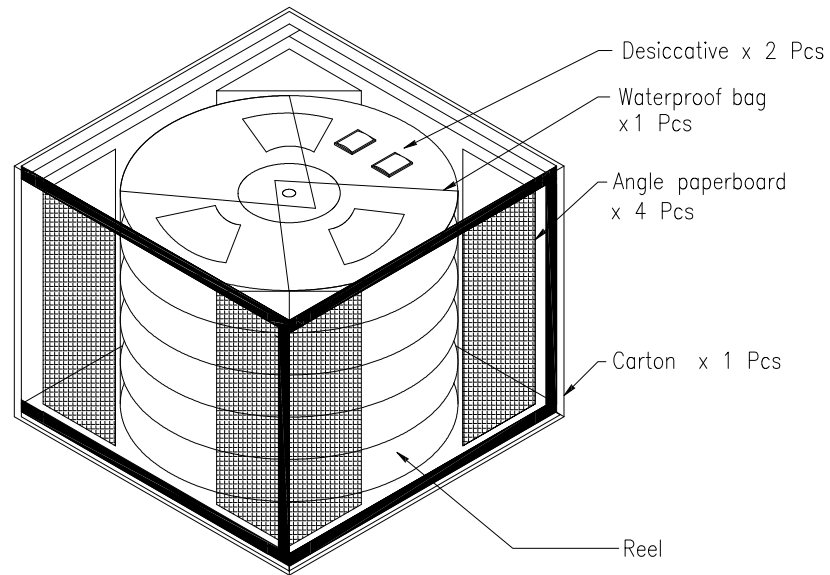
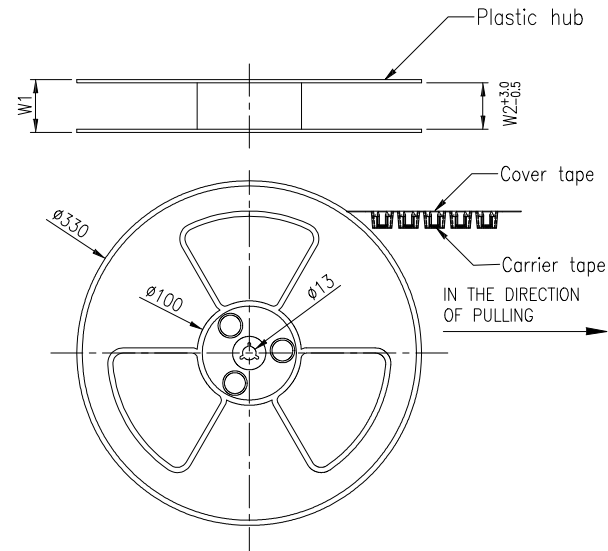
OUPIIN ELECTRONIC(KUNSHAN) CO.,LTD.

PACKAGING SPECIFICATION (包裝作業規範)

SPEC.NO.(規範編號)	8406SPP	適用產品: 8406-CxxCxxDPT-x-G4	PAGE	1/2	REV.	I716
----------------	---------	---------------------------	------	-----	------	------

PACKING OPERATION DIAGRAM & INSTRUCTION (包裝作業圖示及說明)

REMARK (備註)



Carton:380(mm)X380(mm)X300(mm)

WIDTH	36	64	98	164
CARRIER TAPE WIDTH	56.00	72.00	88.00	104.00
W1	60.40	76.40	92.40	108.40
W2	56.40	72.40	88.40	104.40

NO. OF CONTACTS	36	64	
REEL PITCH	20PH	20PH	
REEL/CARTON	4	4	3
CARRIER TAPE WIDTH	56.00		72.00
WITHOUT CAP / WITH MYLAR			
PCS/REEL	250	250	250
QUANTITY(PCS)	1000	1000	750
WITH CAP			
PCS/REEL	200	200	200
QUANTITY(PCS)	800	800	600

NO. OF CONTACTS	98		164
REEL PITCH	20PH	24PH	24PH
REEL/CARTON	3		2
CARRIER TAPE WIDTH	88.00		104.00
WITHOUT CAP / WITH MYLAR			
PCS/REEL	250	180	180
QUANTITY(PCS)	750	540	360
WITH CAP			
PCS/REEL	200	160	160
QUANTITY(PCS)	600	480	320

Drawn By: Martin 08/09'23

歐品電子(昆山)有限公司

OUPIIN ELECTRONIC(KUNSHAN) CO.,LTD.

PACKAGING SPECIFICATION (包裝作業規範)

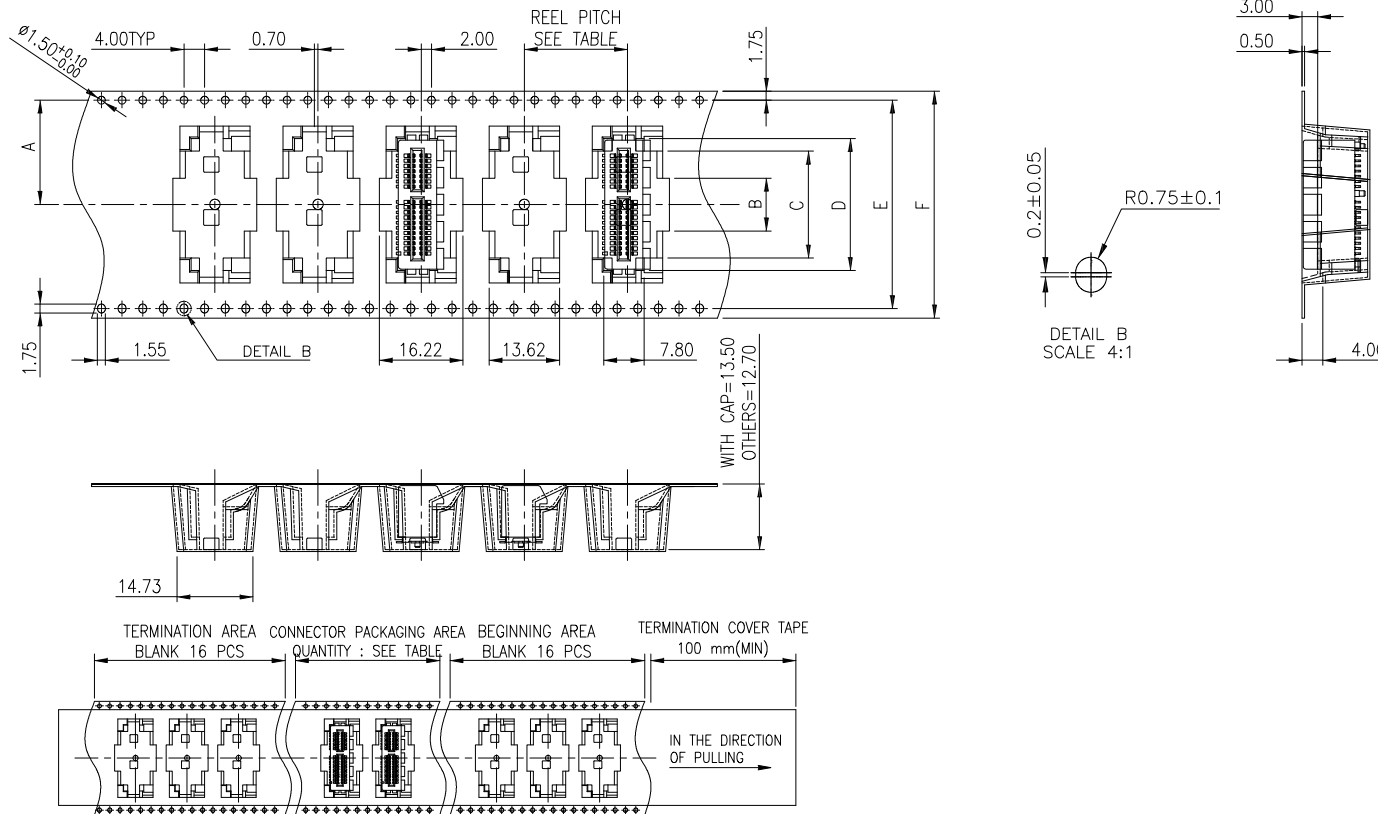
SPEC.NO.(規範編號)	8406SPP	適用產品: 8406-CxxCxxDPT-x-G4	PAGE	2/2	REV.	I716
----------------	---------	---------------------------	------	-----	------	------

PACKING OPERATION DIAGRAM & INSTRUCTION (包裝作業圖示及說明)

REMARK (備註)

DIMENSION

NO. OF CONTACTS	36	64	98	164
A	26.2	26.2	42.2	50.2
B	11.1	11.1	18.1	18.1
C	22.6	35.6	51.6	84.6
D	26.6	40.6	57.6	90.6
E	52.4	52.4	84.4	100.4
F	56.0	56.0	88.0	104.0



COMPOSITION OF PACKAGING

Drawn By: Martin 08/09'23