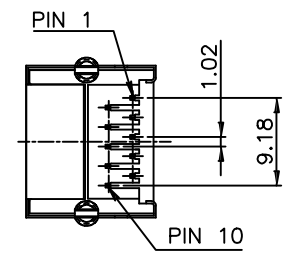
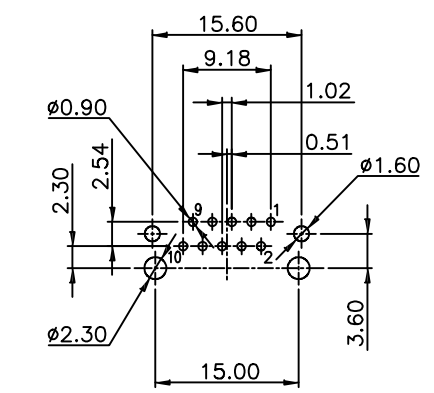
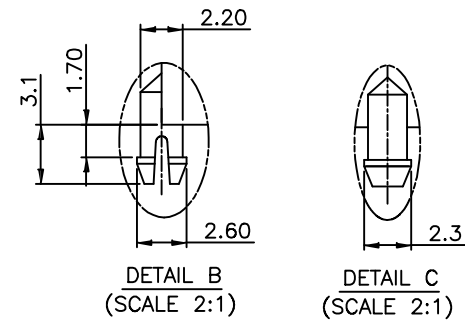
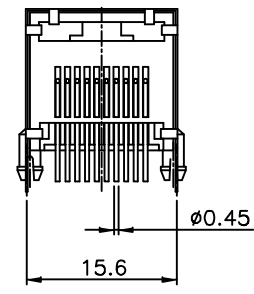
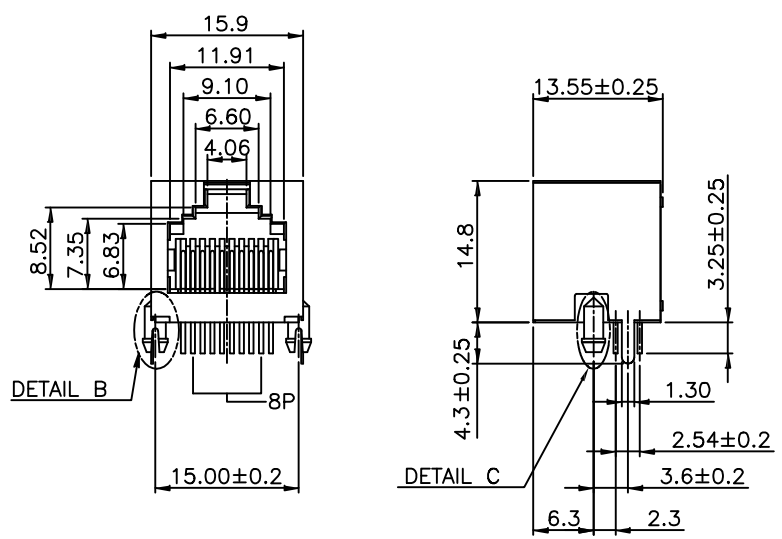
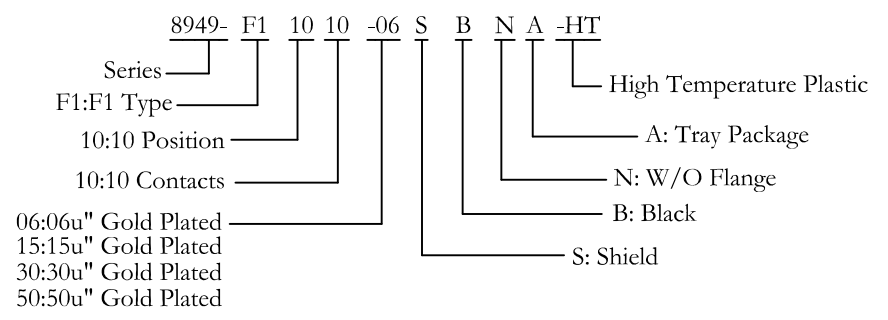


REV.	SPECIFICATION	ECN NO.	APPD.



**RECOMMENDED PCB LAYOUT**  
**RECOMMENDED PCB THICKNESS: 1.6mm**  
**TOLERANCE: ±0.05 (TOP VIEW)**

**Material:**  
Housing: PA46,UL94V-0.  
Contacts: Phosphor Bronze, Gold Plated on Contact Area and Solder Tail over Nickel 50u".  
Shell: Brass,20u" min Nickel Plated.  
**Electrical Characteristics:**  
Current Rating: 1.5 AMP.  
Dielectric Withstanding Voltage: AC 1000V For 1 minute.  
Insulation Resistance: 500MΩ min.  
Contact Resistance: 20mΩ max.  
Operating Temperature: -40°C~+85°C.  
**\*RoHS Compliant**



Tolerances	Dwg No.	8949D02223	Title:		<b>OUPIN</b> OUPIN ELECTRONIC(KUNSHAN) CO., LTD. P/N: 8949-F11010-06SBNA-HT
x. = ±0.50	Projection		8949-F1 Series		
.x = ±0.25	Unit	mm	Scale	1:N	
.xx = ±0.15	Drawn By	Sherry 06/18'19	Modular Jack		
			①563		SHEET 1/1 Ver.No. A1