

歐品電子(昆山)有限公司

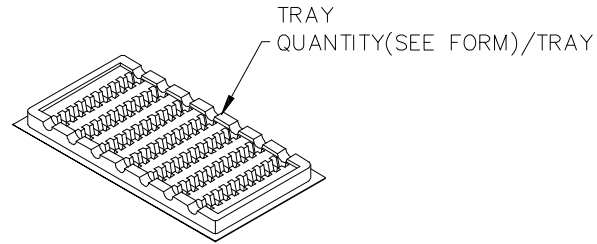
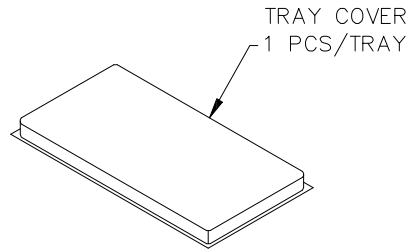
OUPIIN ELECTRONIC(KUNSHAN) CO.,LTD.

PACKAGING SPECIFICATION (包裝作業規範)

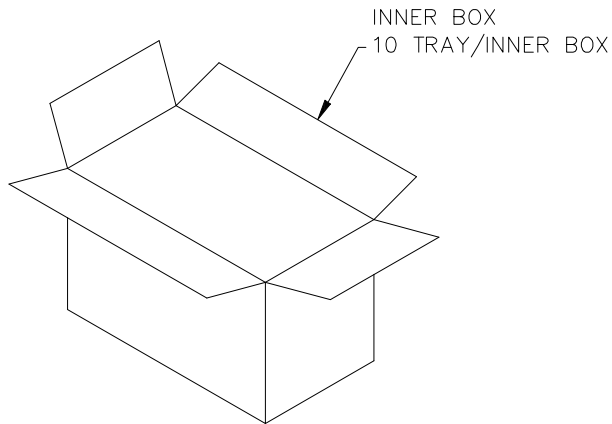
SPEC.NO.(規範編號)	8406SPP	適用產品: 8406-CxxCxxS(-2.3)A	PAGE	1/1	REV.	I716
----------------	---------	---------------------------	------	-----	------	------

PACKING OPERATION DIAGRAM & INSTRUCTION (包裝作業圖示及說明)

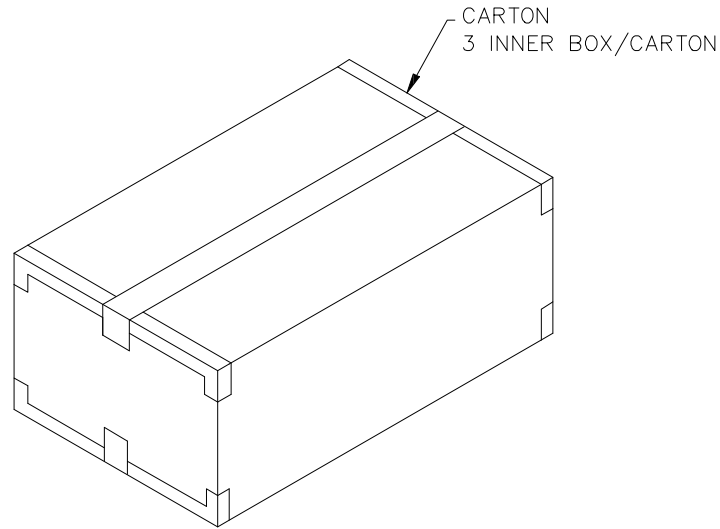
REMARK (備註)



Tray:337(mm)X180(mm)X23.5(mm)



Inner Box:353(mm)X199(mm)X223(mm)



Carton:603(mm)X371(mm)X240(mm)

Form				
	36P	64P	98P	164P
TRAY	70 Pcs	60 Pcs	40 Pcs	30 Pcs
INNER BOX	700 Pcs	600 Pcs	400 Pcs	300 Pcs
CARTON	2100 Pcs	1800 Pcs	1200 Pcs	900 Pcs
NET WEIGHT	5.6 Kg	7.3 Kg	7.0 Kg	8.2 Kg
GROSS WEIGHT	7.6 Kg	9.3 Kg	9.0 Kg	10.2 Kg

Drawn By: Martin 08/14'23