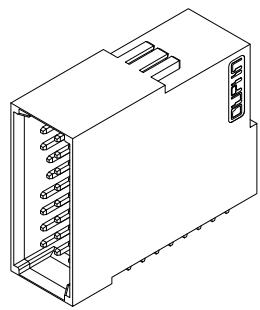
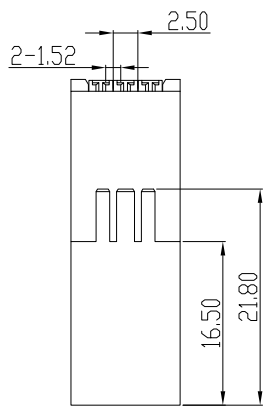


REV.	SPECIFICATION	ECN NO.	APPD.
R1	NEW	ECN210648	



Material and Plating:

Housing: LCP, UL94V-0 , BLACK.
Molding: LCP, UL94V-0 , BLACK.
Contacts: Brass.
30u" Au+Pd/Ni on Contact Area and 80u" Min Tin Plated on Solder Tail over nickel 50u" Min .

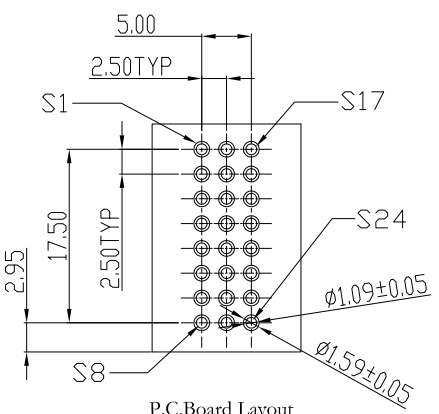
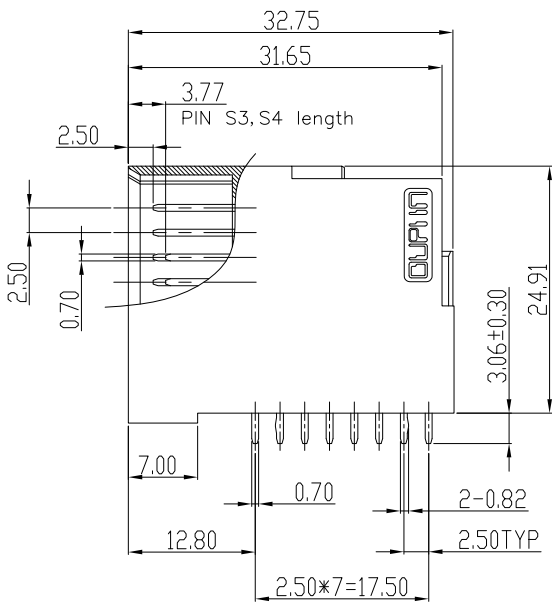
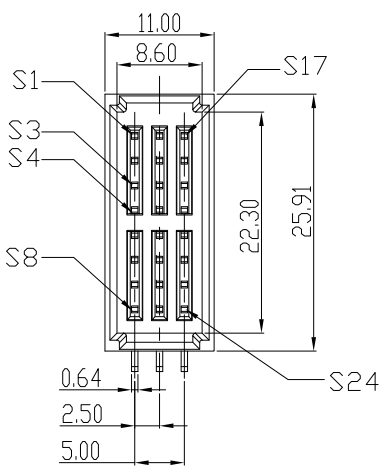
Electrical Characteristics:

Current Rating: 3AMP.
Dielectric Withstanding Voltage: DC 1500V For 1 minute.
Insulator Resistance: 5000MΩ min. at DC 500V.

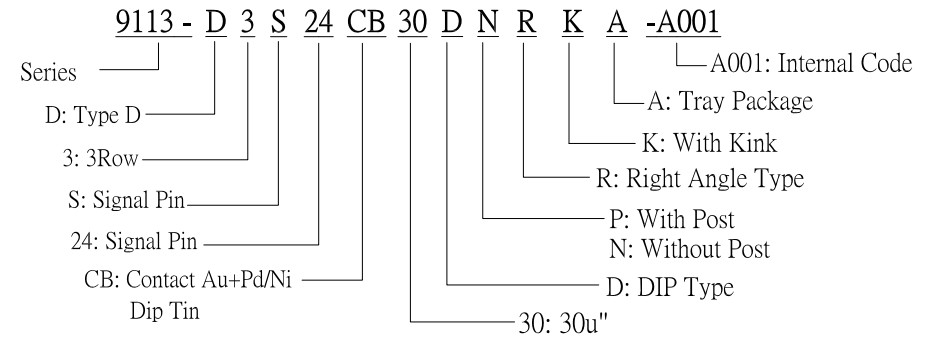
Contact Resistance: 15.0mΩ max
Operating Temperature: -40°C~+105°C

***RoHS Compliant**

Note 1:
last make, first break Circuits: S3 , S4



P.C.Board Layout
(Tolerance:±0.05)



Tolerances	Dwg. No.	9113-D0000-050		Title:	
x = ±0.5	Projection			9113 Series	
.x = ±0.25	Unit	mm	Scale	Male Right-angle DIP Type	
.xx = ±0.15	Drawn By	GYJ 06/28/21'			

OUPIN ELECTRONIC(KUNSHAN) CO., LTD.			
P/N: 9113-D3S24CB30DNRKA-A001			
SHEET	1/1	Ver. No.	R1