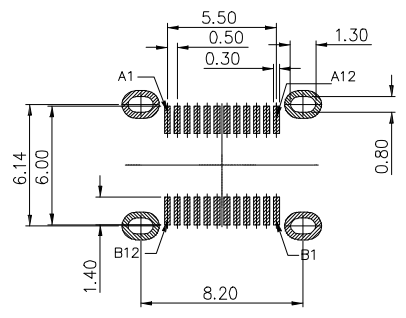
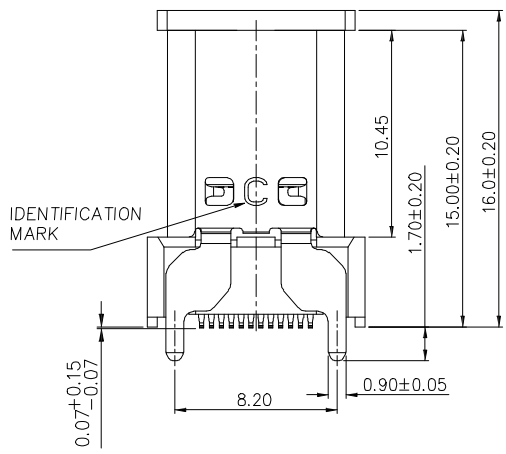
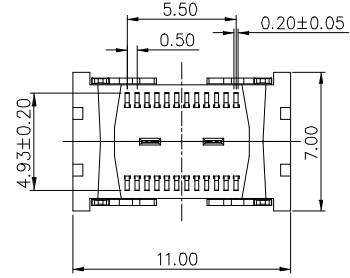
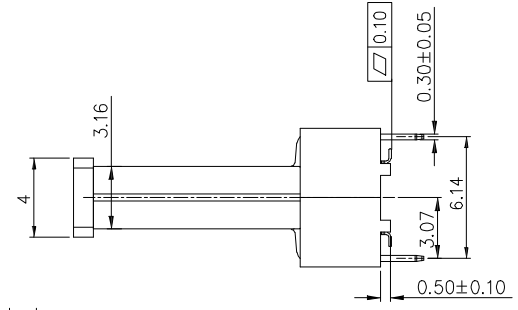
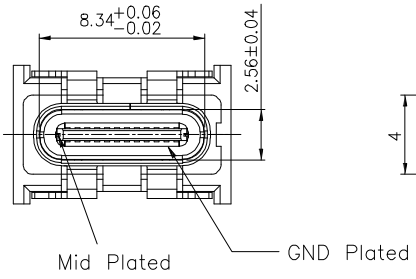
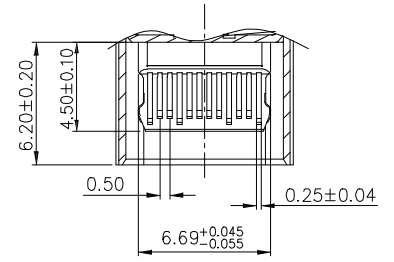
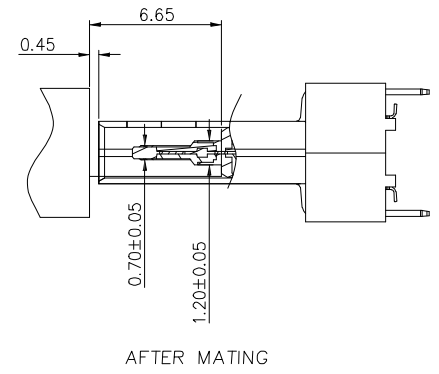
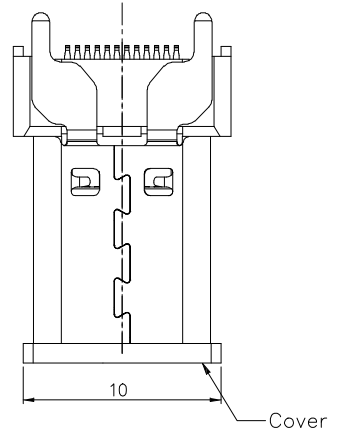


REV.	SPECIFICATION	ECN NO.	APPD.



TOLERANCE FOR PCB LAYOUT IS ± 0.05
KEEP OUT AREA

8976-C 24 C 00 D B 3 N T -P
 Series ——— Positions ——— C:Selective Gold Plated ——— 00:Gold Flash ——— 15:15u" ——— 30:30u" ———
 D:SMD Type ——— B: Black ——— Type 3 ——— N:Without Post ——— T:Tape & Reel Package ——— P:Plastic Pad

Material:
 Housing: LCP, UL94V-0, Black.
 Cover: LCP, UL94V-0, Black.
 Contacts: C7025, Gold Plated over Nickel 50u" on Contact Area and Matte Tin Plated over Nickel 30u" on Solder Tail.
 Shell: SUS304, 30u" Nickel Plated.
 GND Plated: SUS301.
 Mid Plated: SUS301.
Electrical Characteristics:
 Current Rating: 5A for VBUS Pin.
 1.25A for VCONN Pin.
 Dielectric Withstanding Voltage: AC 100V.
 Insulation Resistance: 100MΩ min.
 Contact Resistance: 40mΩ max.
 Operating Temperature: -40°C~+85°C.
***RoHS Compliant**

Tolerances	Dwg. No.	S3220230829-02	Title:		8976-C Series	 OUPIIN ELECTRONIC(KUNSHAN) CO., LTD. P/N: 8976-C24C00DB3NT-P SHEET 1/1 Ver.No. X2
x. = ±0.38	Projection		USB4 Gen3 40G Type C			
.x = ±0.25	Unit	mm	Scale	1:N		
.xx = ±0.15	Drawn By	Martin	Date	10/30'23	① 747	