

SECTION: B-B
Scale: 1 : 1

9114 - G 2 2 L S06 A B 7 P P A

Series: 9114 - G 2 2 L S06 A B 7 P P A

A: Type A
A: Tray Package
2: 2Row
P: With Post
2: Power Pin
N: Without Post
L: Left
P: Press fit Type
Blank: Without Signal
Signal Contact: Sxx
7: 30u"
B: Contact Au+Pd/Ni, Dip Tin
A: Type A
B: Type B

No. of Position

Long PIN
Short PIN

Section: A-A
Scale: 1 : 1

Type No	Product No.
	(A Type) 9114-G22LS06AB7PPA
	(B Type) 9114-G22LS06BB7PPA

Tolerances	Dwg. No.	9114-D0000-023	Title:
x = ±0.5	Projection		9114 Series Female Power+Signal Connector
.x = ±0.25	Unit	mm	
.xx = ±0.15	Scale	1:1	
	Drawn By	CXP 04/14'17	

OUPIN			
OUPIN ELECTRONIC(KUNSHAN) CO., LTD.			
P/N: 9114-G22LS06AB7PPA			
SHEET	1/2	Ver. No.	R1

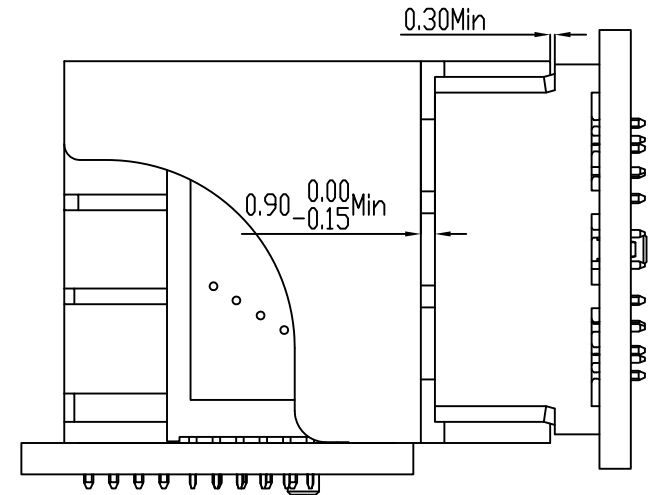
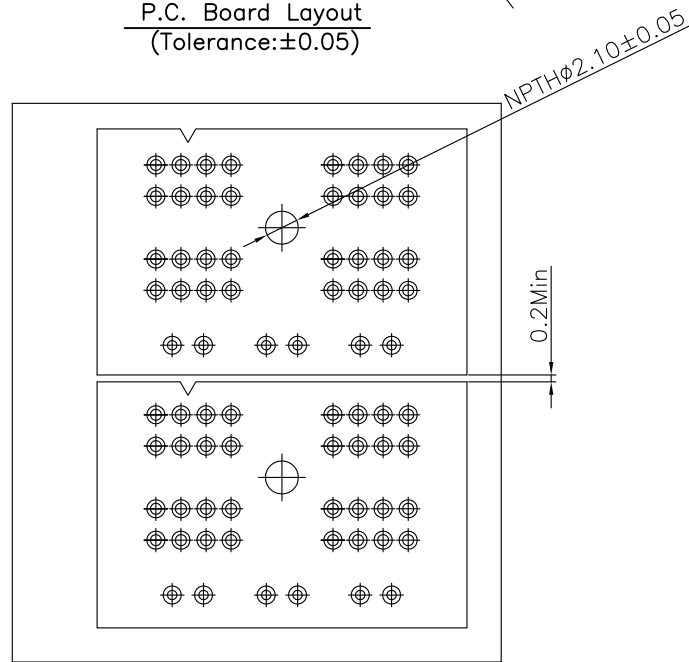
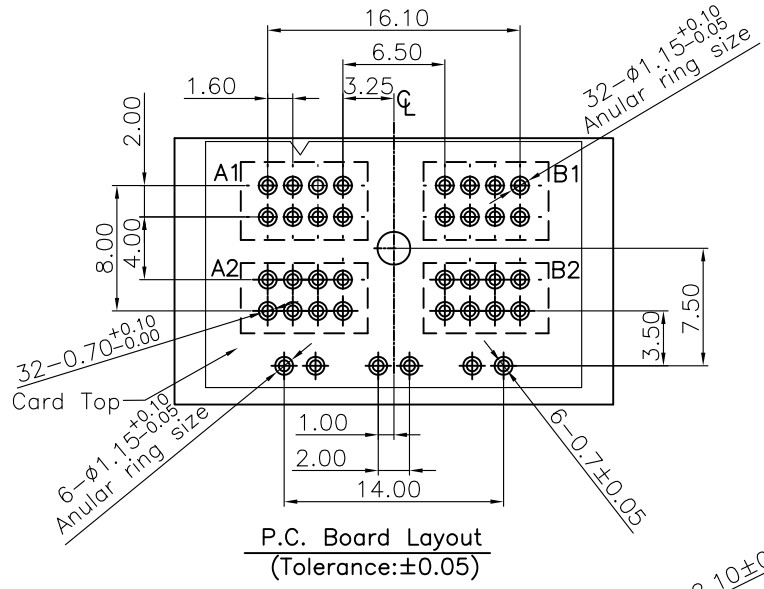
REV.	SPECIFICATION	ECN NO.	APPD.
R1			


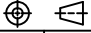
Material and Plating:
Housing: LCP, UL94V-0.
Power Contacts: High Conductivity Copper.
30u"Au+Pd/Ni Contact Area and 80u" Min Tin Plated on Solder Tail over nickel 50u" Min .
Signal Contact: Phosphor Bronze.
30u"Au+Pd/Ni Contact Area and 80u" Min Tin Plated on Solder Tail over nickel 50u" Min .

Electrical Characteristics:
Current Rating: Power: 35 AMP (2ozx2); 45 AMP (2ozx4)
Signal: 1AMP.
Dielectric Withstanding Voltage:
Power: AC 1500V For 1 minute.
Signal: AC 750V For 1 minute
Insulator Resistance: Power: 1500MΩ min. at DC 500V.
Signal: 1000MΩ min. at DC 500V.
Contact Resistance: Power: 0.5mΩ max.
Signal: 30mΩ max.
Operating Temperature: -55°C ~ +125°C .

***RoHS Compliant**

REV.	SPECIFICATION	ECN NO.	APPD.
R1			



Tolerances	Dwg. No.	9114-D0000-023	Title:		 OUPIIN ELECTRONIC(KUNSHAN) CO., LTD. P/N: 9114-G22LS06AB7PPA			
x = ±0.5	Projection		9114 Series					
.x = ±0.25	Unit	mm	Scale	1:1	Female Power+Signal Connector			
.xx = ±0.15	Drawn By	CXP 04/14'17			SHEET	2/2	Ver. No.	R1