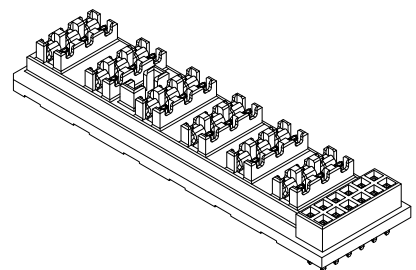
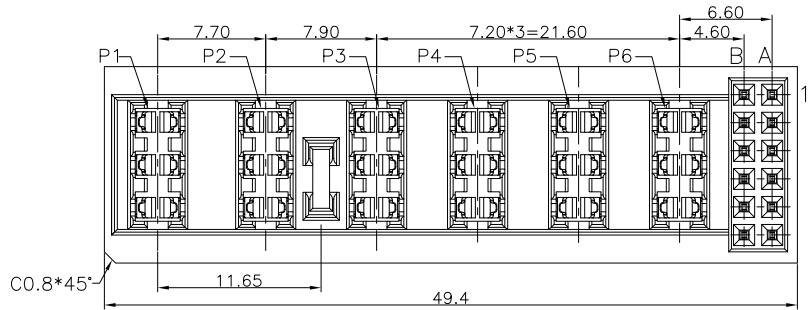


REV.	SPECIFICATION	ECN NO.	APPD.
R2		ECN171133	



Material and Plating:

Housing: LCP, UL94V-0, BLACK.
Power Contacts: High Conductivity Copper.
 30u" Au+Pd/Ni on Contact Area and 80u" Min Tin Plated on Press Fit over nickel 50u" Min.
Signal Contacts: Phosphor Bronze.
 30u" Au+Pd/Ni on Contact Area and 80u" Min Tin Plated on Press Fit over nickel 50u" Min.

Electrical Characteristics:

Current Rating: Power: 60 AMP (2oz*4)
 Signal: 1AMP.
Dielectric Withstanding Voltage:
 Power: AC 1500V For 1 minute.
 Signal: AC 750V For 1 minute.

Insulator Resistance:

Power: 1500MΩ min. at DC 500V.
 Signal: 1000MΩ min. at DC 500V.

Contact Resistance: Power: 0.5mΩ max.

Signal: 30mΩ max.

Operating Temperature: -55°C ~ +125°C.

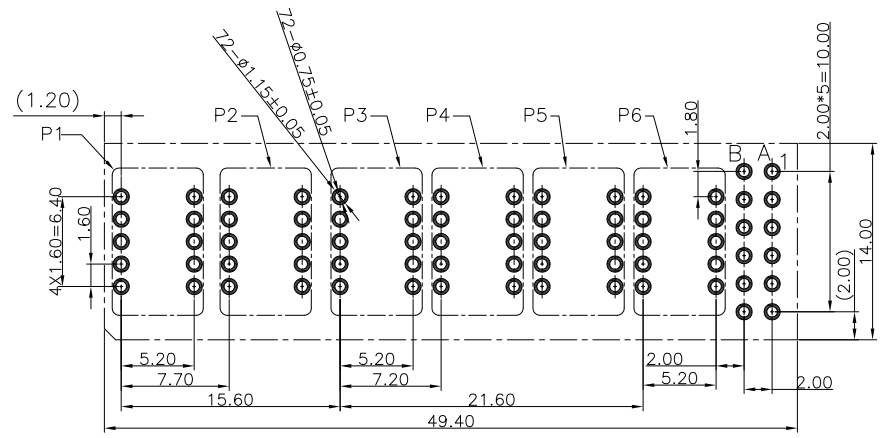
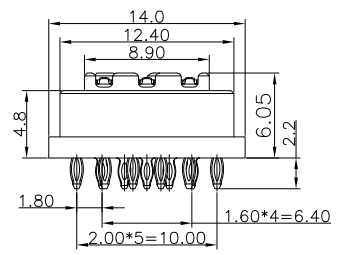
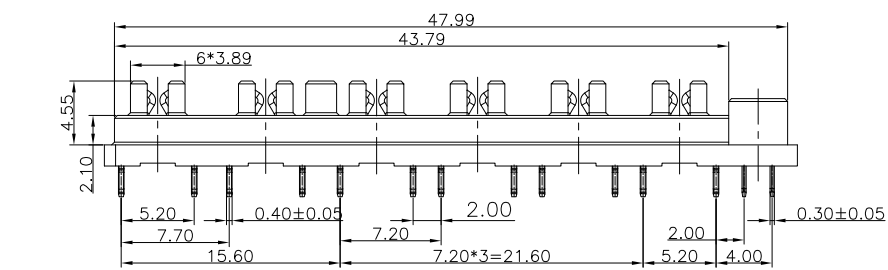
***RoHS Compliant**

Mating force: Power pin: 17.5N/Pair pin Max

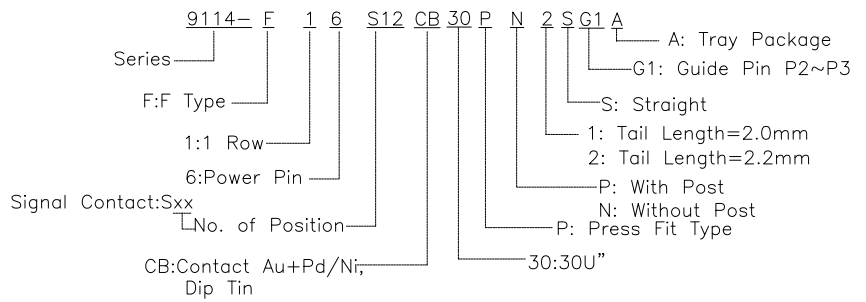
Signal pin: 3N/PIN Max

Un-mating force: Power pin: 2.5N/Pair pin Min

Signal pin: 0.15N/PIN Min



P.C. Board Layout
(Tolerance ±0.05)



Tolerances	Dwg NO.	9114-D0000-026	Title:	9114 Series	 OUPIIN ELECTRONIC(KUNSHAN) CO., LTD. P/N: 9114-F16S12CB30PN2SG1A
x = ±0.50	Projection				
.x = ±0.25	Unit	mm	Scale		
.xx = ±0.15	Drawn By	CXP 03/24'18			SHEET 1/1 Ver.No. R2