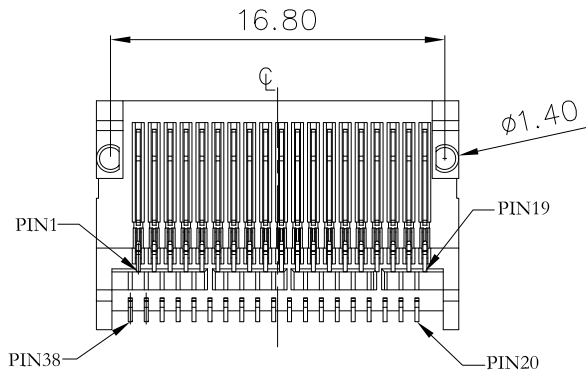
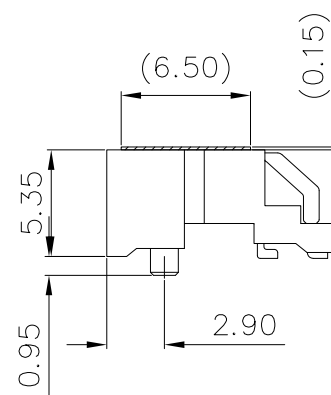
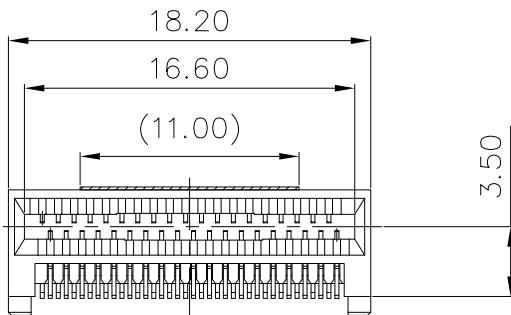
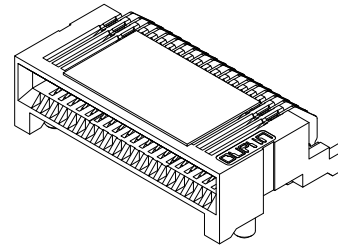
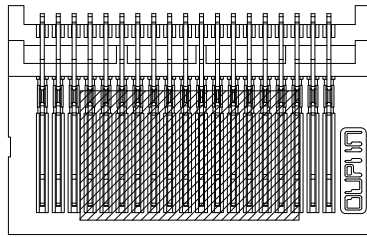


REV.	SPECIFICATION	ECN NO.	APPD.
R2		ECN230104	



8953- 38 G 30 P D T -S

Series ——— S: Mylar
 Position ——— T: Tape & Reel Package
 C: Selective ——— D: SMD Type
 Gold Plated ——— P: With Post
 G: Gold Plated ——— 15:15 μ "
 30:30 μ "

Material and Plating:

Housing: LCP, UL94V-0.

Signal Contacts: High performance Copper Alloy.
 Gold Plated on Contact Area and 80 μ " Min Tin Plated or
 Gold Flash on Solder tail over Nickel 50 μ " Min.

Electrical Characteristics:

Current Rating: 0.5 AMP.

Voltage: 30 Volts AC/DC Max.

Dielectric Withstanding Voltage: DC 300V For 1 minute.

Insulation Resistance: 1000M Ω min. at DC 100V.

Contact Resistance: 20m Ω max. at DC 10mA.

Operating Temperature: -40 $^{\circ}$ C~+85 $^{\circ}$ C.

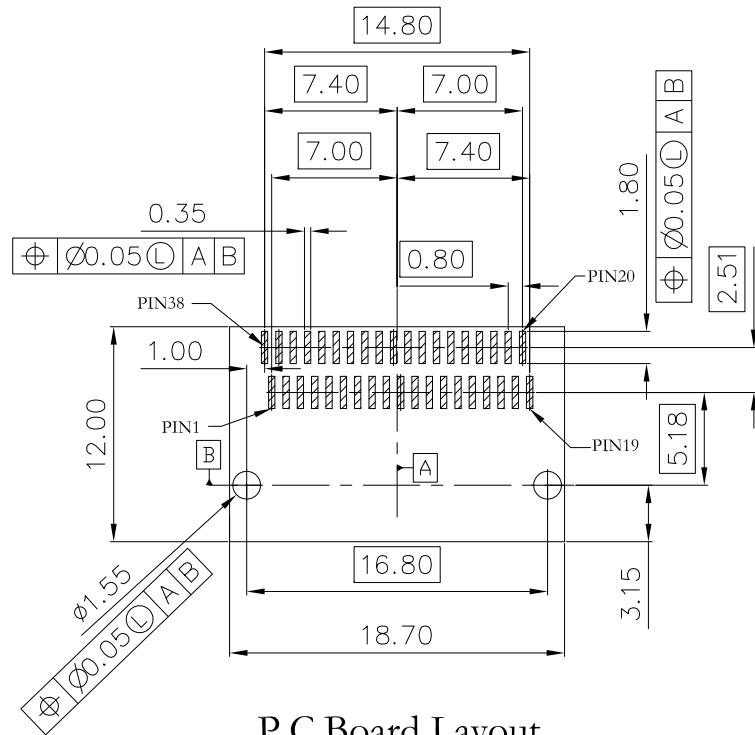
***RoHS Compliant**

Tolerances	Dwg. No.	8953-D0000-002		Title:
x = ± 0.5	Projection			8953 Series
.x = ± 0.25	Unit	mm	Scale	1:1
.xx = ± 0.15	Drawn By	WP 02/03'23		QSFP+ 10/14 Connector

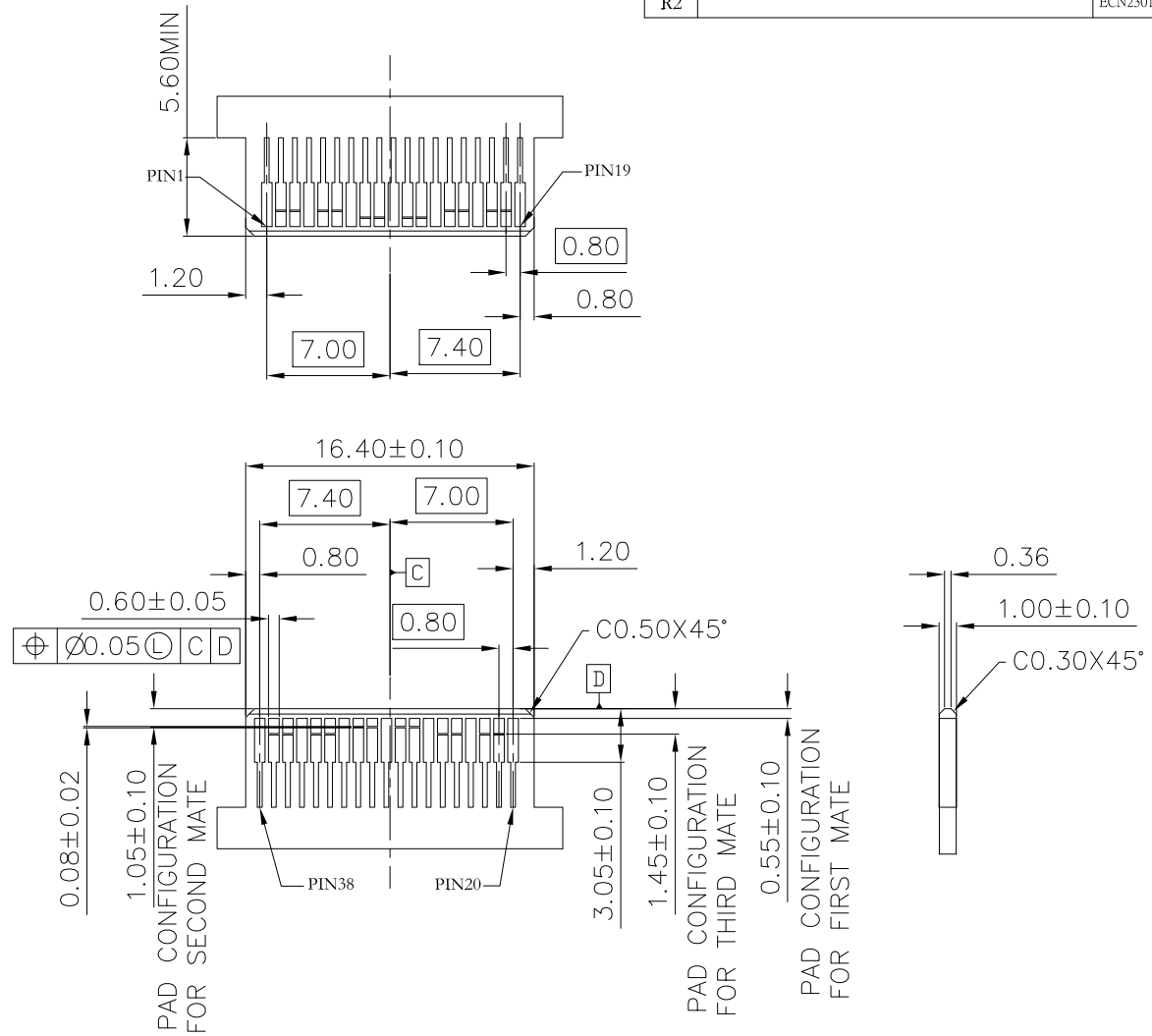
Title:			
8953 Series			
QSFP+ 10/14 Connector			

OUPIIN ELECTRONIC(KUNSHAN) CO., LTD.			
P/N: 8953-38G30PDT-S			
SHEET	1/2	Ver. No.	R2


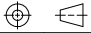
REV.	SPECIFICATION	ECN NO.	APPD.
R2		ECN230104	



P.C. Board Layout
(Tolerance: ±0.05)



Recommended Edge Card Layout
(Tolerance: ±0.05)

Tolerances	Dwg. No.	8953-D0000-002	Title:		 OUPIIN ELECTRONIC(KUNSHAN) CO., LTD. P/N: 8953-38G30PDT-S			
x = ±0.5	Projection		8953 Series					
.x = ±0.25	Unit	mm	Scale	1:1	QSFP+ 10/14 Connector			
.xx = ±0.15	Drawn By	WP 02/03'23			SHEET	2/2	Ver. No.	R2