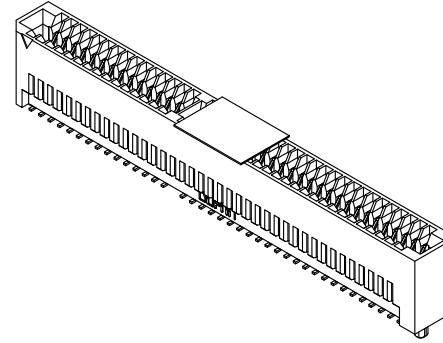
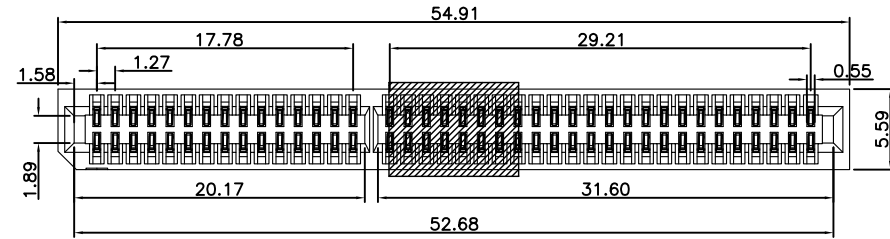


REV.	SPECIFICATION	ECN NO.	APPD.
R2		ECN201206	



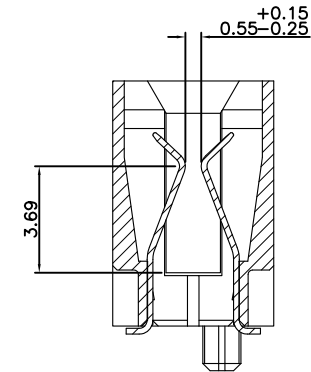
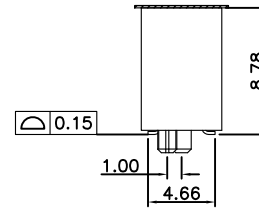
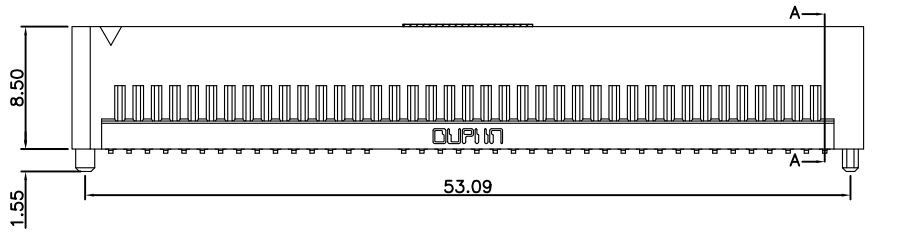
Material and Plating:

Housing: LCP, UL94V-0 , BLACK.
 Signal Contacts : Nickel Alloy.
 30u" gold plated on Contact Area and 80u" Min Tin Plated on Solder Tail over nickel 50u" Min .

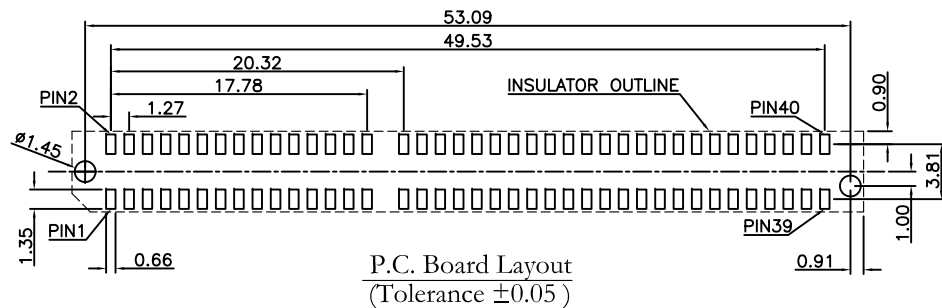
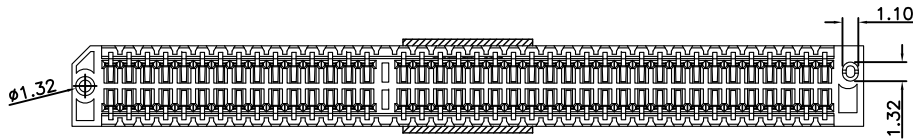
Electrical Characteristics:

Current Rating: 3.5 AMP.
 Dielectric Withstanding Voltage: AC 840V For 1 minute.
 Insulator Resistance: 10000MΩ min.
 Contact Resistance: 15mΩ max.
 Operating Temperature: -55°C~+125°C.

***RoHS Compliant**



Section A-A
Scale 2:1



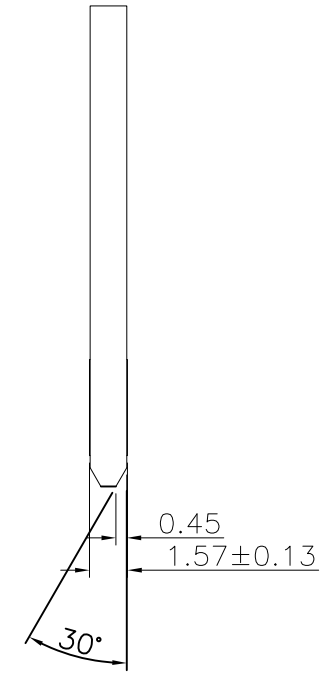
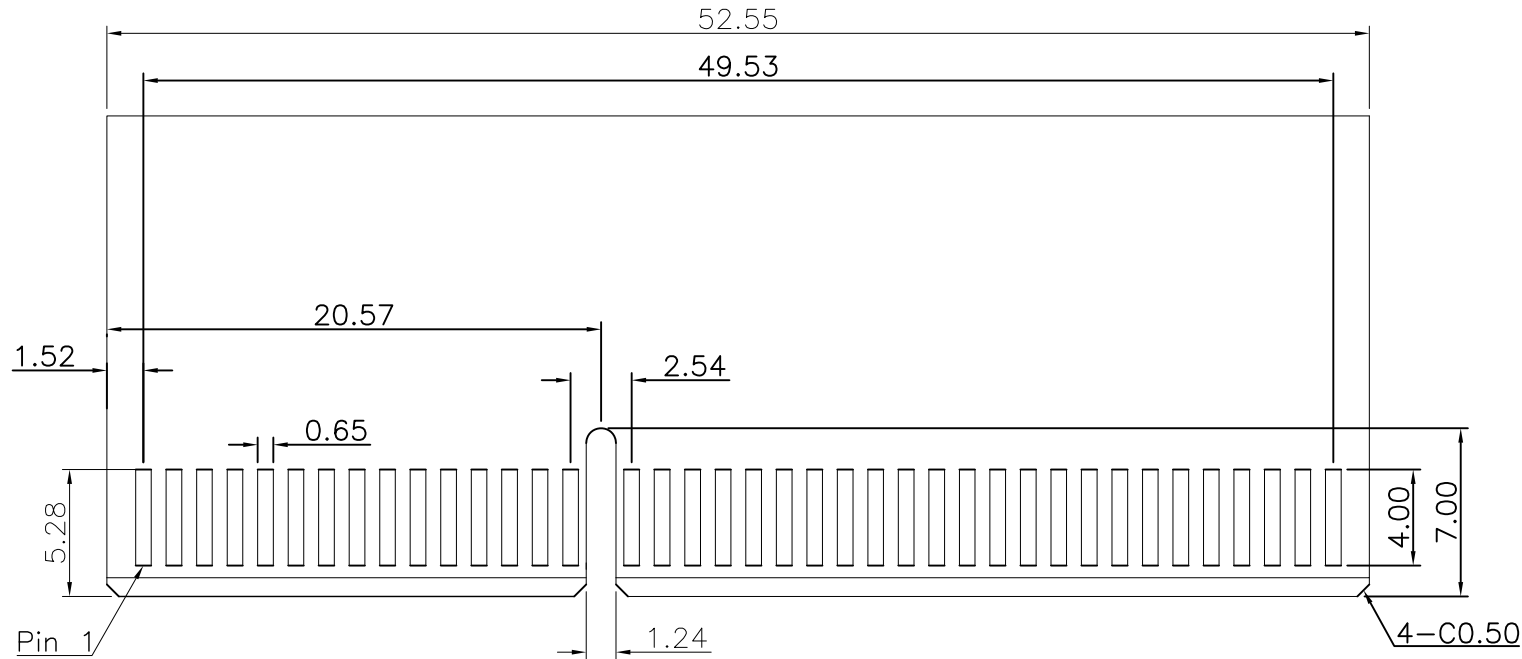
8236- 2 X 40 C 7 D P 1 x T -S
 Series: S: Mylar, Blank: Without Pad, T: Tape&Reel Packaging
 Double Row: Blank: Without Lock, L: With Lock
 Position Per Row: 1: With Front Key
 C: Selective Gold Plated
 7: 30μ"
 D: SMD Type
 P: With Post, N: Without Post

Tolerances	Dwg. No.	8236-D0000-001	
x = ±0.50	Projection		
.x = ±0.25	Unit	mm	Scale 1:1
.xx = ±0.15	Drawn By	zcc 12/05'20	

Title:
 8236 Series
 Edge Card Connector
 1.27mm (0.05") Pitch SMD Type

OUPIIN ELECTRONIC(KUNSHAN) CO., LTD.			
P/N: 8236-2X40C7DP1xT-S			
SHEET	1/2	Ver.No.	R2

REV.	SPECIFICATION	ECN NO.	APPD.
R2		ECN201206	



Recommended Edge Card Layout
(Tolerance:±0.05)

Tolerances	Dwg. No.	8236-D0000-001		Title:	
x = ±0.50	Projection			8236 Series	
.x = ±0.25	Unit	mm	Scale	1:1	Edge Card Connector
.xx = ±0.15	Drawn By	zcc 12/05'20		1.27mm (0.05") Pitch SMD Type	

Title:	
8236 Series	
Edge Card Connector	
1.27mm (0.05") Pitch SMD Type	

OUPIIN ELECTRONIC(KUNSHAN) CO., LTD.			
P/N: 8236-2X40C7DP1xT-S			
SHEET	2/2	Ver.No.	R2