

| | | | |
|------|---------------|-----------|-------|
| REV. | SPECIFICATION | ECN NO. | APPD. |
| R1 | | ECN220333 | |

Material and Plating:

Housing: LCP, UL94V-0 , BLACK.

Contacts: High Performance Copper Alloy .
Gold Plated on Contact Area and 80u" Min Tin
Plated on Solder Tail over Nickel 50u" Min.

Lock: Phosphor Bronze .

80u" Min Tin Plated over Nickel 50u" Min.

Electrical Characteristics:

Current Rating: 1.5 AMP Per Contact With 1 Contact.

Voltage Rating: 300V AC.

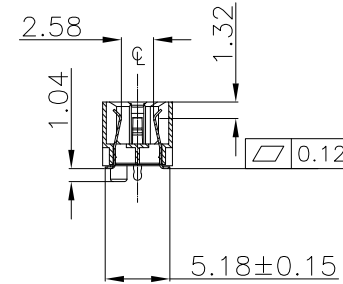
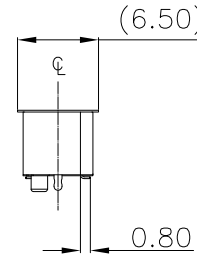
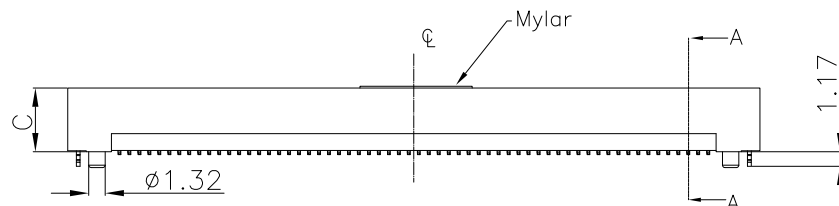
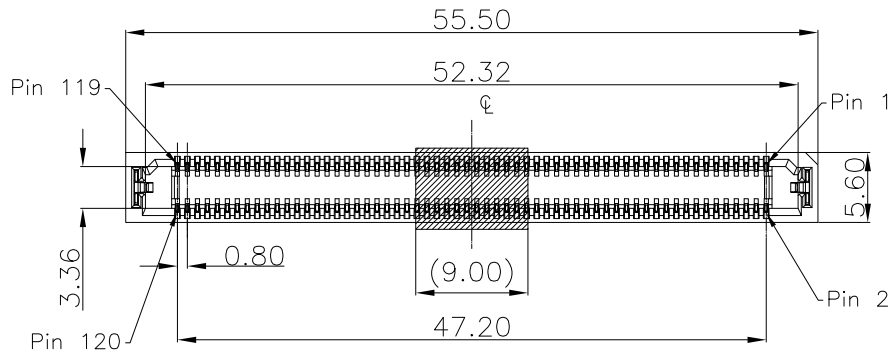
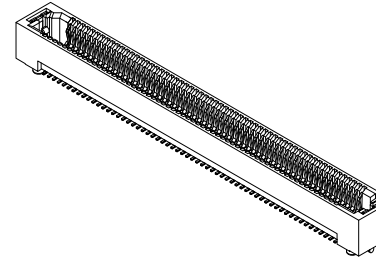
Dielectric Withstanding Voltage: AC 500V For 1 Minute.

Insulator Resistance: 50000 MΩ Min.

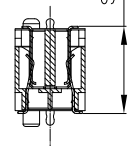
Contact Resistance: 25mΩ max .

Operating Temperature: -55°C ~+125°C .

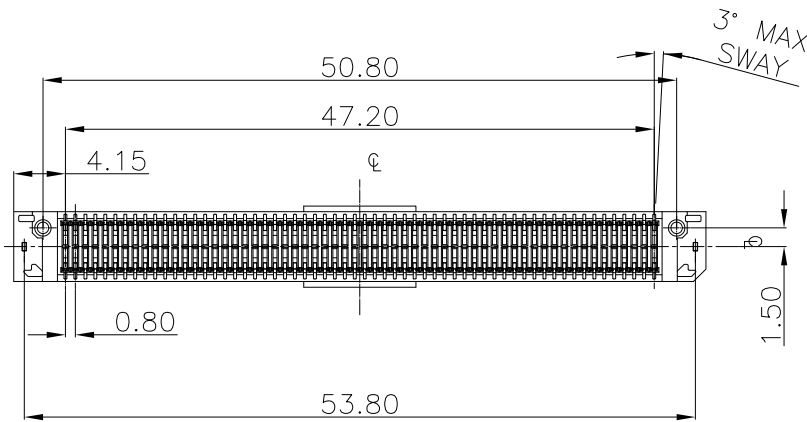
***RoHS Compliant**



Section A-A



stocked height D



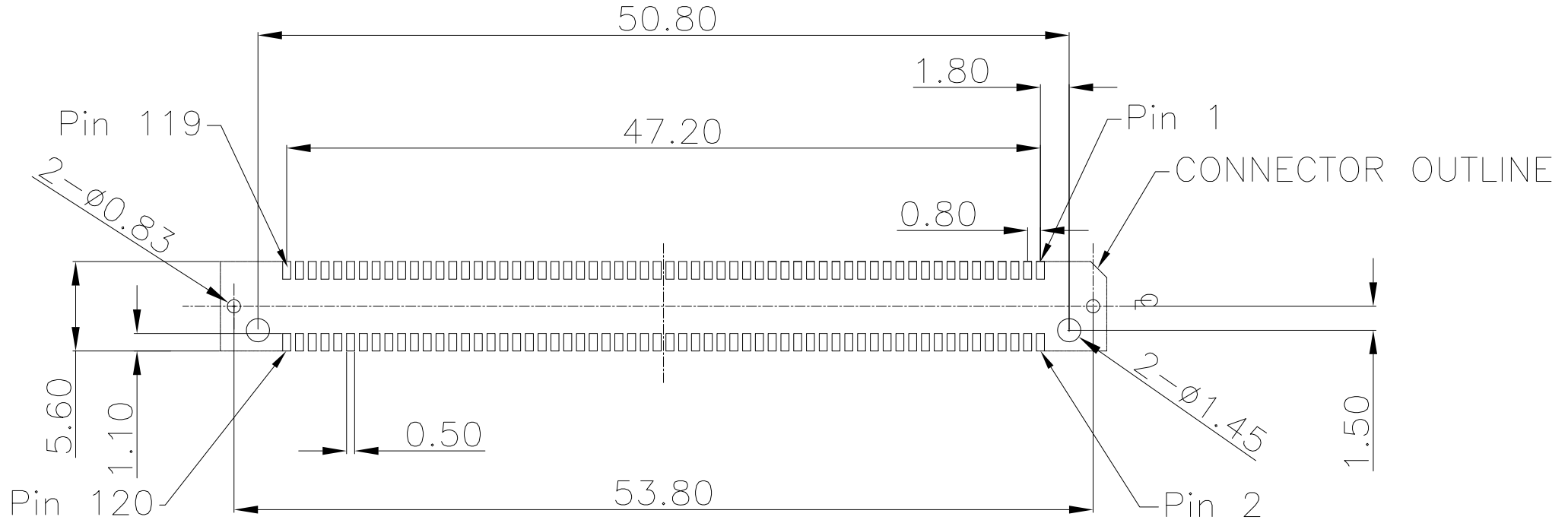
Series 2386- 2 2 X 60 C 3 D 1 L T -S
 2:Female Straight
 Double Row
 Position Per Row
 C: Selective Gold Plated
 3: 10μ"
 7: 30μ"
 D:SMD Type
 S: Mylar
 Blank: Without Mylar
 T: Tape&Reel Package
 L: With lock
 1:Code1
 2:Code2
 3:Code3
 4:Code4

| **Available Code | | | | | | | | | | | | | | | | |
|------------------|------|------|------|-------|-----|------|------|------|------|------|------|------|------|------|------|------|
| Code | *1 | 2 | 3 | 4 | | | | | | | | | | | | |
| Height C | 5.10 | 7.00 | 9.10 | 10.10 | | | | | | | | | | | | |
| Stacked Height D | *7.0 | 10.0 | 13.0 | 14.0 | 9.0 | 12.0 | 15.0 | 16.0 | 11.0 | 14.0 | 17.0 | 18.0 | 12.0 | 15.0 | 18.0 | 19.0 |


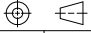
| | | | | | |
|-------------|------------|----------------|-------|--------------------------------|-----|
| Tolerances | Dwg. No. | 2386-D0000-008 | | Title: | |
| x = ±0.5 | Projection | ⊕ ⊖ | | 2386 Series Female Straight | |
| .x = ±0.25 | Unit | mm | Scale | | 1:1 |
| .xx = ±0.15 | Drawn By | WP 03/15'22 | | | |

| | | | |
|-------------------------------------|-----|---------|----|
| OUPIN | | | |
| OUPIN ELECTRONIC(KUNSHAN) CO., LTD. | | | |
| P/N: 2386-22X60C3D1LT-S | | | |
| SHEET | 1/2 | Ver.No. | R1 |

| | | | |
|------|---------------|-----------|-------|
| REV. | SPECIFICATION | ECN NO. | APPD. |
| R1 | | ECN220333 | |



Recommended PCB Layout
(Tolerance : ± 0.05)

| | | | | | |
|------------------|------------|---|--------------------------------|-----|--|
| Tolerances | Dwg. No. | 2386-D0000-008 | Title: | |  OUPIIN ELECTRONIC(KUNSHAN) CO., LTD. |
| x = ± 0.5 | Projection |  | 2386 Series Female Straight | | |
| .x = ± 0.25 | Unit | mm | Scale | 1:1 | SHEET |
| .xx = ± 0.15 | Drawn By | WP | 03/15'22 | | 2/2 |
| | | | | | Ver.No. |
| | | | | | R1 |