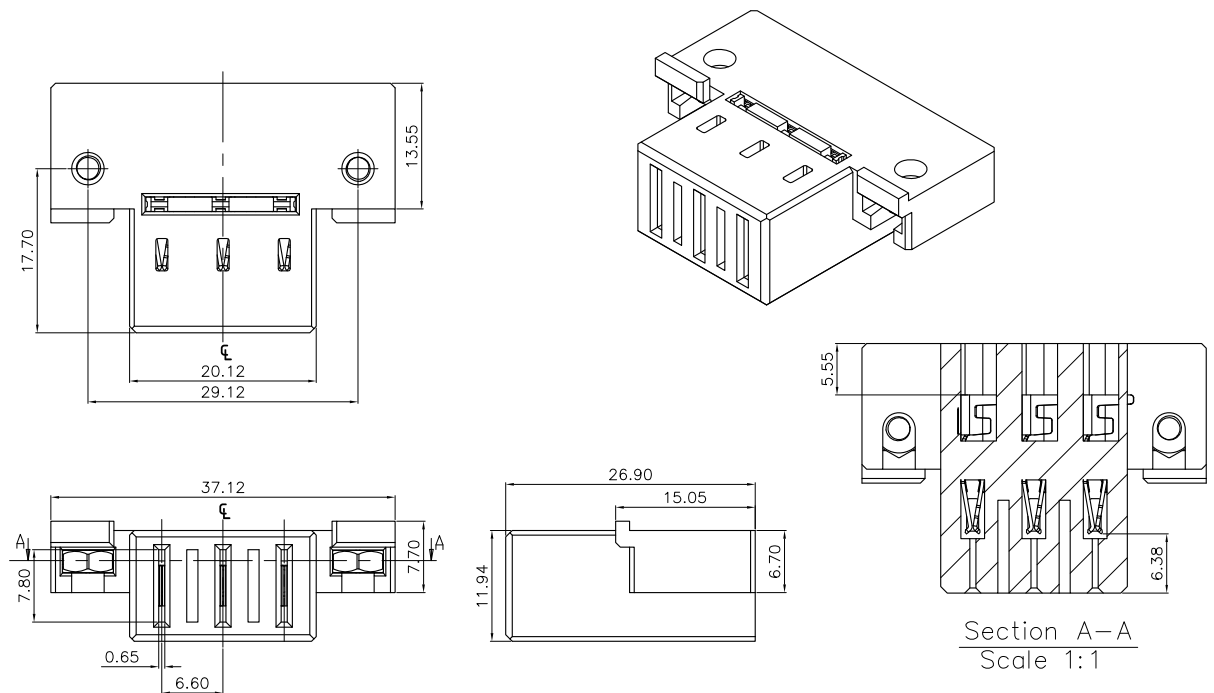


REV.	SPECIFICATION	ECN NO.	APPD.
X15			



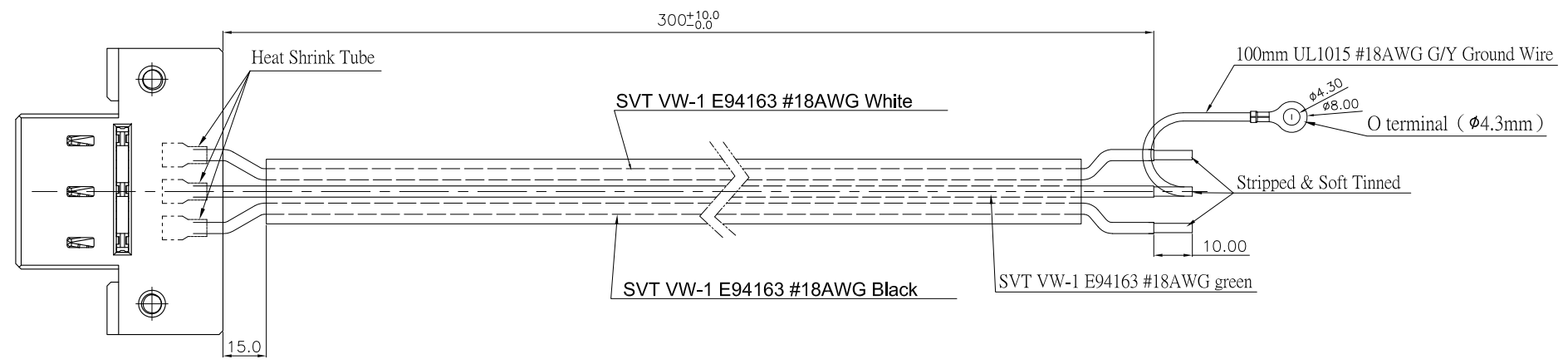
Material:
Housing: High Temperature Plastic UL94V-0 .
Contacts: Copper Alloy

Electrical Characteristics:
Current Rating: Power Pin 15 AMP.
Dielectric Withstanding Voltage:
Power Pin DC 2500V For 1 minute.
Insulator Resistance: Power Pin 20000MΩ min. at DC 500V.
Contact Resistance: Power Pin 2.0mΩ max. at DC 20mA.
Operating Temperature: -20°C ~+105°C .

*RoHS Compliant

9390- 2 H 03 C 00 X 30

Series ———
2: Female Straight ———
H: Power Contact ———
6.60mm Pitch ———
03: 3of position ———
C: Selective Gold Plated ———
00: G/F ———



Tolerances	Dwg. No.	9390-D0000-002		Title:	
x = ±0.5	Projection	⊕		9390 Series	
.x = ±0.25	Unit	mm	Scale	Female Straight	
.xx = ±0.15	Drawn By	SH 03/22'17		Wire type	

OUPIN			
OUPIN ELECTRONIC(KUNSHAN) CO., LTD.			
P/N: 9390-2H03C00X30			
SHEET	1/1	Ver. No.	X15