

REV.	SPECIFICATION	ECN NO.	APPD.
R3		ECN191222	

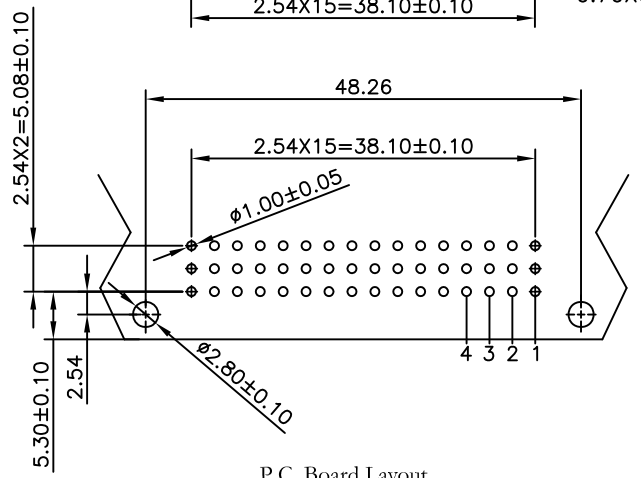
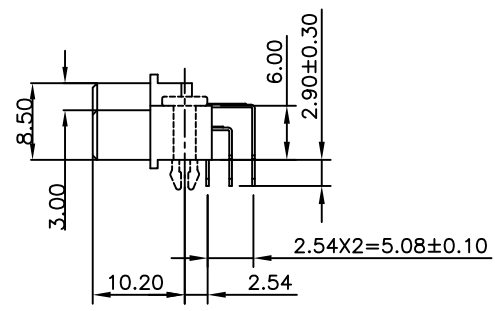
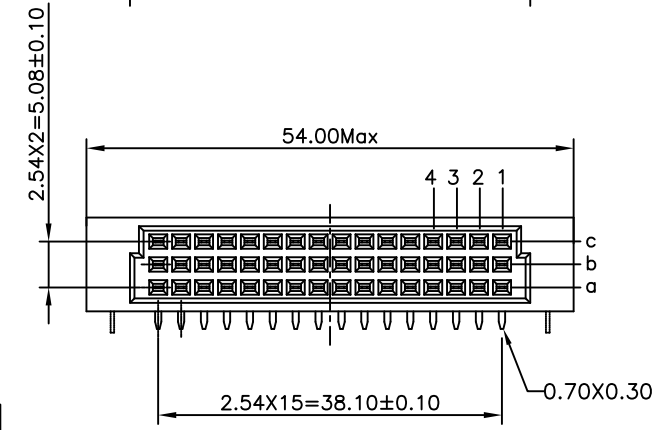
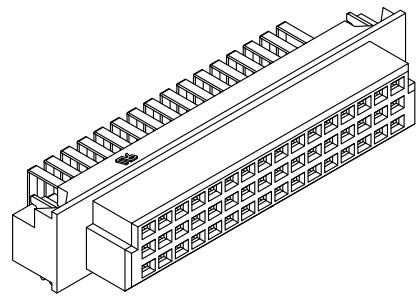
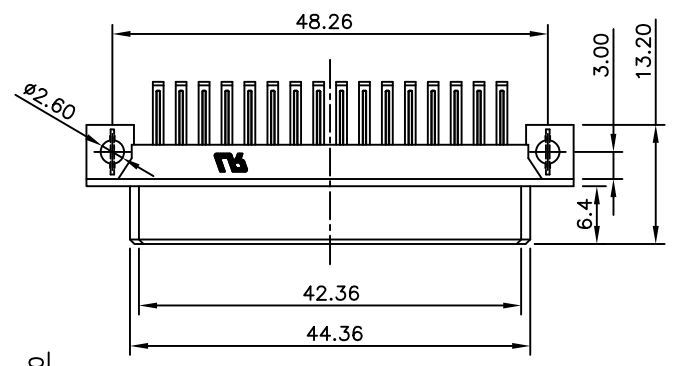
**Material:**

Housing: PBT ,UL94V-0,Beige.  
 Contacts: Phosphor Bronze.  
 Gold Plated on Contact Area and 80u" Min Tin Plated on Solder tail over Nickel 50u"Min.

**Electrical Characteristics:**

Current Rating: 2 AMP.  
 Dielectric Withstanding Voltage: AC 1000V For 1 minute.  
 Insulator Resistance: 1000MΩ min. at DC 500V.  
 Contact Resistance: 20mΩ max. at DC 100mA.  
 Operating Temperature: -55°C~+125°C.

**\*RoHS Compliant**



P.C. Board Layout

Series 9001-C 1 8 xx 1 C xx L1 A  
 1: 2.54mm  
 2: 5.08mm  
 8: Female  
 Position  
 1: Dip Length  
 C: Dip Tin  
 Contact Gold  
 A: Tray Package  
 Blank: W/O Lock  
 L1: With Lock  
 00: G/F  
 10: 10 μ"  
 15: 15 μ"  
 30: 30 μ"

9001-C18481C		a b c	48	2.54mm
9001-C18321C		a - c	32	
9001-C18161C		a - -	16	
9001-C28241C		a b c	24	5.08mm
9001-C28161C		a - c	16	
9001-C28081C		a - -	8	
P/N	Contact Arrange	Rows With Contacts	Position	Pitch

<b>Tolerances</b>	<b>Dwg. No.</b>	9001-D0000-011	<b>Title:</b>	9001 Series DIN 41612 R Type Female
x = ±0.5	<b>Projection</b>		 <b>OUPIIN ELECTRONIC(KUNSHAN) CO., LTD.</b> P/N: 9001-C1(2)8xx1CxxL1A SHEET 1/1 Ver.No. R3	
.x = ±0.25	<b>Unit</b>	mm		
.xx = ±0.15	<b>Scale</b>	1:1		
	<b>Drawn By</b>	WQ 12/14'19		