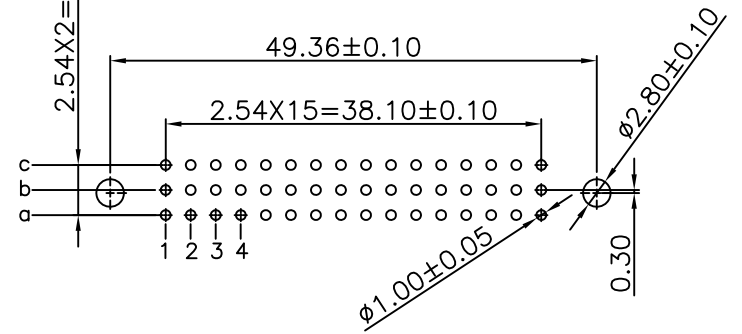
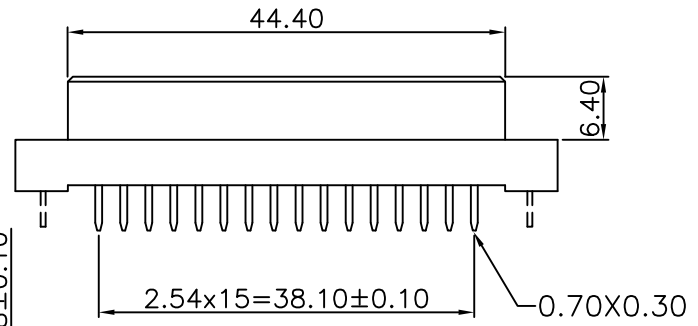
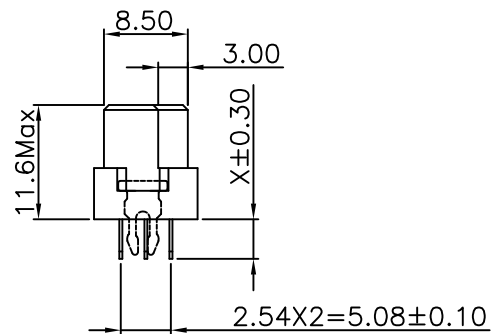
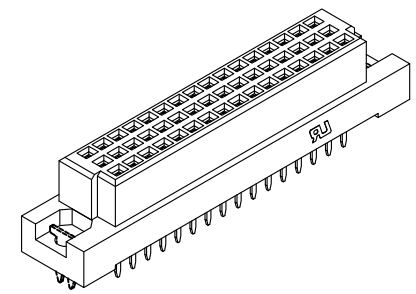
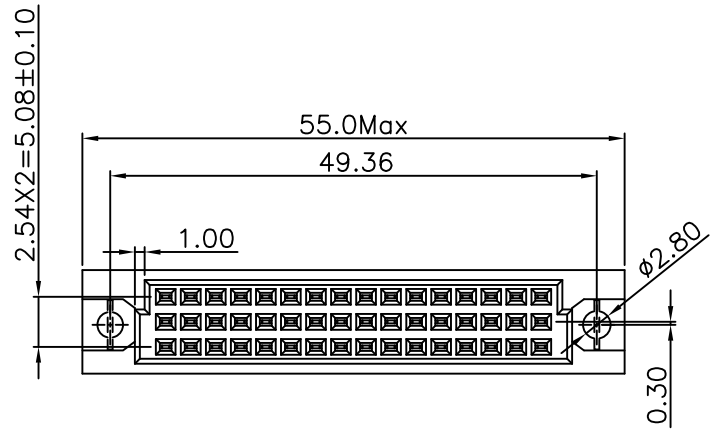


REV.	SPECIFICATION	ECN NO.	APPD.
R1		ECN180114	



P.C. Board Layout

- Series **9001-C** 1 6 48 1 C 00 L1 A
- 1: 2.54mm
 - 2: 5.08mm
 - 6: Female
 - Position
 - 1: Dip Length
 - 2: Dip Length
 - A: Tray Package
 - Black: W/O Lock
 - L1: With Lock
 - 00: G/F
 - 10: 10μ"
 - 15: 15μ"
 - 30: 30μ"
 - C: Dip Tin Contact Gold

Material:

Housing: 30% Glass filled PBT UL94V-0.
 Contacts: Phosphor Bronze.
 Lock: Phosphor Bronze.

Electrical Characteristics:

Current Rating: 2 AMP.
 Dielectric Withstanding Voltage: AC 1000V For 1 minute.
 Insulator Resistance: 1000MΩ min. at DC 500V.
 Contact Resistance: 20mΩ max. at DC 100mA.
 Operating Temperature: -55°C ~+125°C .

***RoHS Compliant**

	length	1	2
	x	4.0	2.5
2.54mm	48	a b c	
	32	a - c	
	16	a - -	
5.08mm	24	a b c	
	16	a - c	
	8	a - -	
Pitch	Position	Rows With Contacts	Contact Arrange

Tolerances	Dwg. No.	9001-D0000-003
x = ±0.5	Projection	
.x = ±0.25	Unit	mm
.xx = ±0.15	Scale	1:1
	Drawn By	MXM 01/09'18

Title: 9001-C Series
 DIN41612

OUPIN
 OUPIN ELECTRONIC(KUNSHAN) CO., LTD.
 P/N: 9001-C1(2)6xxxCxXL1A
 SHEET 1/1 Ver.No. R1