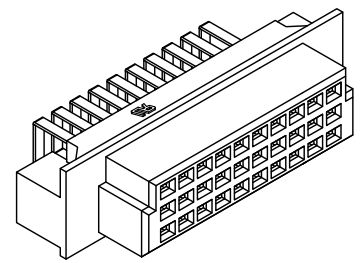
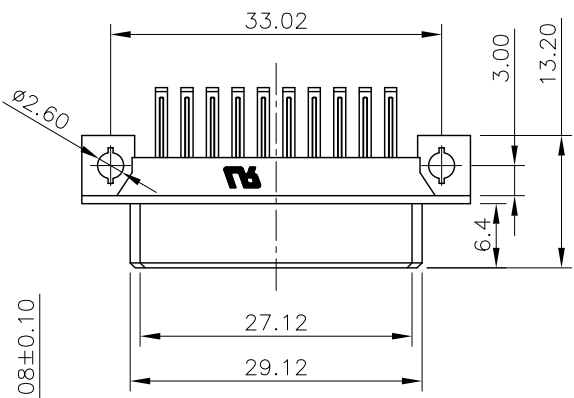


REV.	SPECIFICATION	ECN NO.	APPD.
R3		ECN191222	



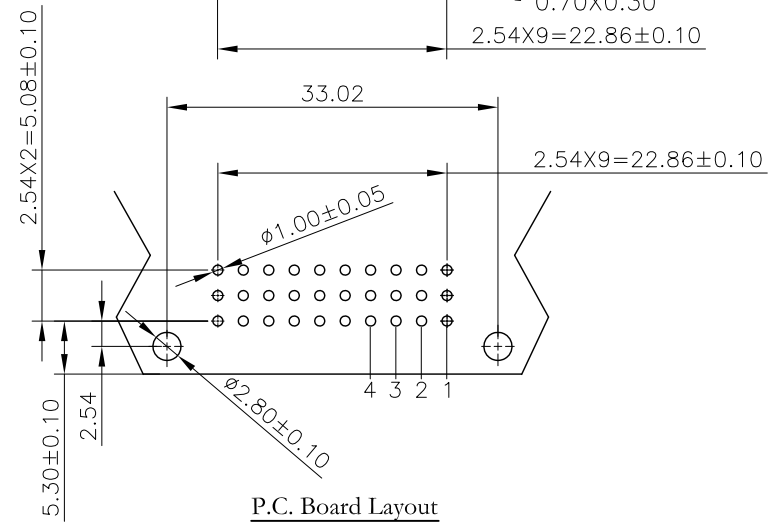
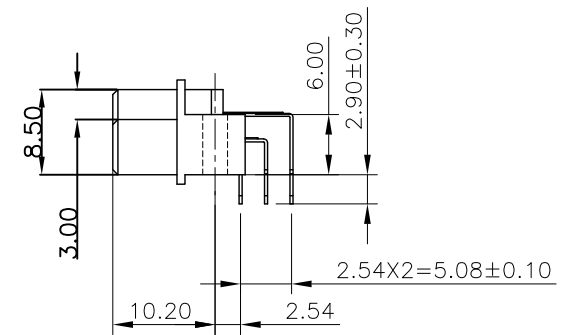
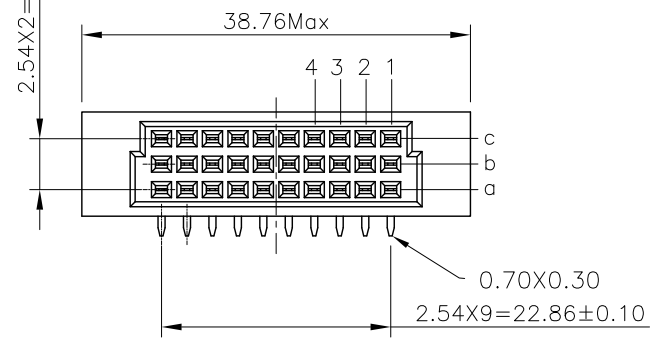
Material:

Housing: PBT ,UL94V-0,Beige.
 Contacts: Phosphor Bronze.
 Gold Plated on Contact Area and 80u" Min Tin Plated on Solder tail over Nickel 50u"Min.

Electrical Characteristics:

Current Rating: 2 AMP.
 Dielectric Withstanding Voltage: AC 1000V For 1 minute.
 Insulator Resistance: 1000MΩ min. at DC 500V.
 Contact Resistance: 20mΩ max. at DC 100mA.
 Operating Temperature: -55°C~+125°C.

***RoHS Compliant**



P.C. Board Layout
(Tolerance:±0.05)

Series 9001-C 1 8 30 1 C xx A
 1: 2.54mm
 2: 5.08mm
 8: Female
 Position
 1: Dip Length
 C: Dip Tin
 Contact Gold
 A: Tray Package
 00: G/F
 10: 10 μ"
 15: 15 μ"
 30: 30 μ"

Tolerances	Drawn No. 9001-D0000-022	Title: 9001 Series DIN 41612 R Type Female	OUPIN OUPIN ELECTRONIC(KUNSHAN) CO., LTD. P/N: 9001-C18301CxxA
x = ±0.5	Projection		
.x = ±0.25	Unit mm Scale 1:1		
.xx = ±0.15	Drawn By WQ 12/14'19		SHEET 1/1 Ver.No. R3