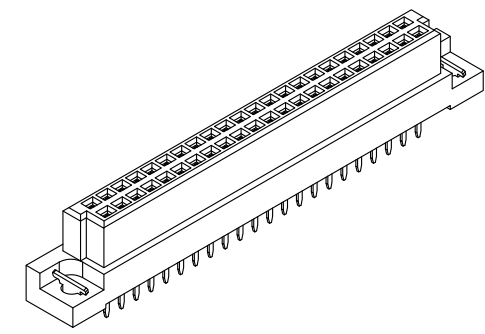
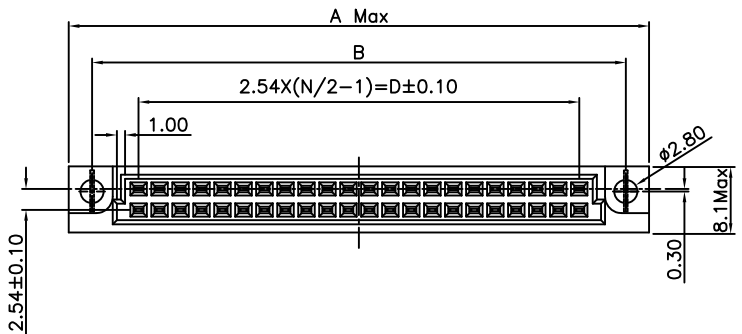
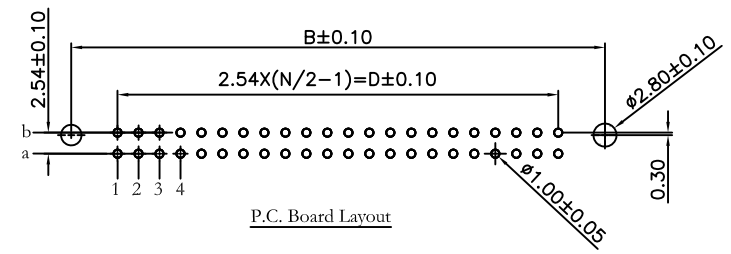
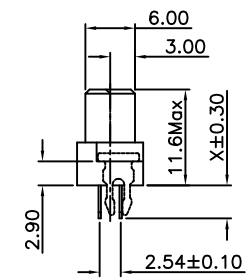
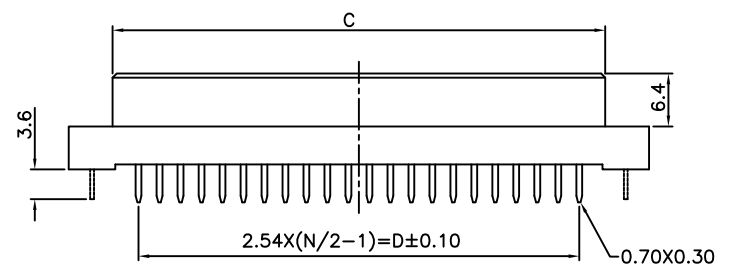


REV.	SPECIFICATION	ECN NO.	APPD.
R3		ECN191247	



Material:
Housing: PBT, UL94V-0 Beige.
Contacts: Phosphor Bronze.
Lock: Phosphor Bronze.
Gold Plated on Contact Area and 80u" Min Tin or Gold Flash Plated on Solder tail over 50u"Min Nickel.
Electrical Characteristics:
Current Rating: 2 AMP.
Dielectric Withstanding Voltage: AC 1000V For 1 minute.
Insulator Resistance: 1000MΩ min. at DC 500V.
Contact Resistance: 20mΩ max. at DC 100mA.
Operating Temperature: -55°C ~+125°C .
***RoHS Compliant**



9001-C 3 6 xx 1 C xx L1 A
Series
3: 2.54mm
4: 5.08mm
6: Female
Position
1: Dip Length
2: Dip Length
xx: 00: G/F
10: 10μ"
15: 15μ"
30: 30μ"
C: Dip Tin Contact Gold
G: Gold
A: Tray Package
Blank: W/O Lock
L1: With Lock

Dimension	Position	length			
		X	1	2	
			4.0	2.5	
44/22/11		70.24	64.60	59.64	53.34
32/16/8		55.0	49.36	44.36	38.10
2.54mm	44	a b		9001-C3644xCxxA	
	32	a b		9001-C3632xCxxA	
	22	a -		9001-C3622xCxxA	
	16	a -		9001-C3616xCxxA	
5.08mm	22	a b		9001-C4622xCxxA	
	16	a b		9001-C4616xCxxA	
	11	a -		9001-C4611xCxxA	
	8	a -		9001-C468xCxxA	
Pitch	Position	Rows With Contacts	Contact Arrange	P/N	

Tolerances	Drawn No.	9001-D0000-007
x = ±0.5	Projection	
.x = ±0.25	Unit	mm
.xx = ±0.15	Scale	1:1
	Drawn By	WQ 19/23'19

Title:
9001 Series
DIN41612 Half
B Type Female

OUPIN
OUPIN ELECTRONIC(KUNSHAN) CO., LTD.
P/N: 9001-C3(4)6xx1CxxL1A
SHEET 1/1 Ver.No. R3