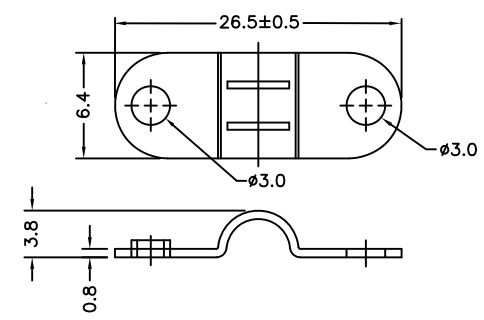
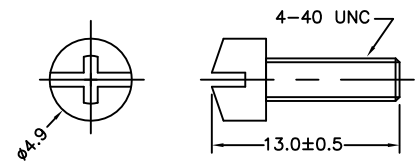
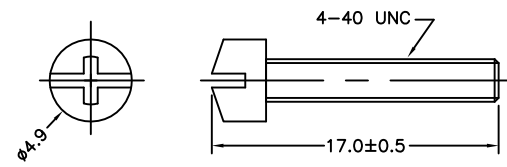
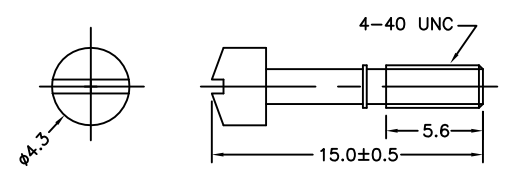
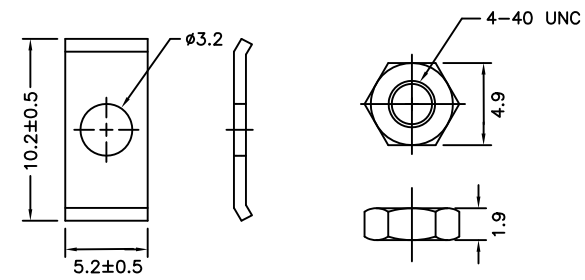
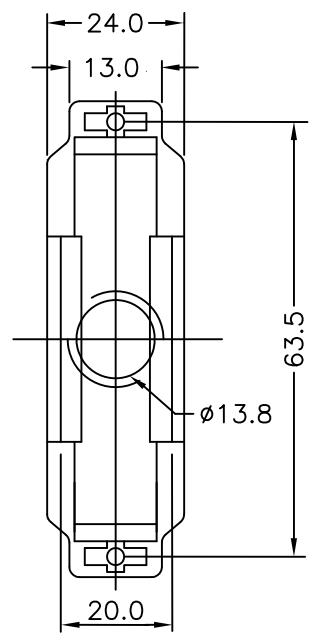
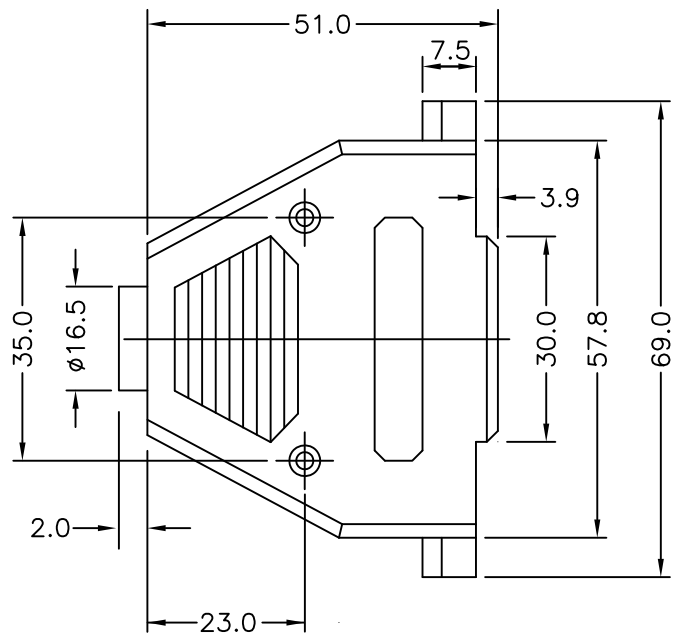


REV.	SPECIFICATION	ECN NO.	APPD.



DP- 37 Y
 Series Position Y:Grey
 B:Black
 C:Chrome
 (plastic metallized)

B
 B: Bulk Package
 P: Individual Package

Tolerances	Dwg. No.	DP00D00004		Title:	
x = ±0.80	Projection			DP Series	
.x = ±0.50	Unit	mm	Scale	Plastic Hood	
.xx = ±0.35	Drawn By	Vic Lyu11/09'15		① 741	

DP Series
 Plastic Hood

OUPIN			
OUPIN ELECTRONIC(KUNSHAN) CO., LTD.			
P/N: DP-37YB			
SHEET	1/1	Ver.No.	B3