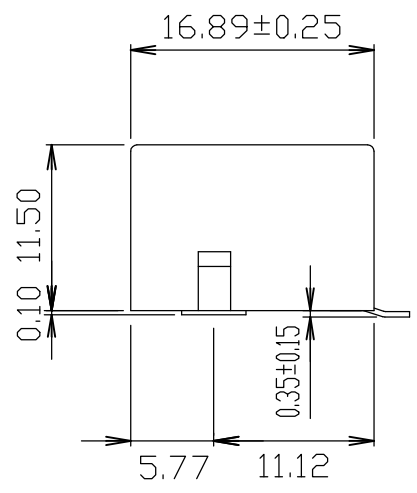
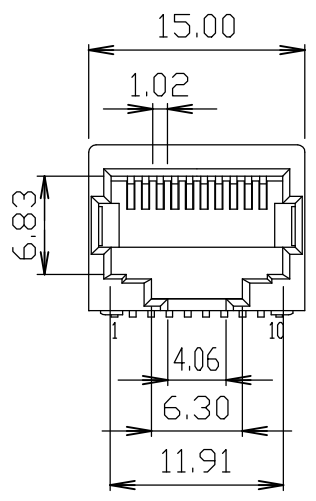


REV.	SPECIFICATION	ECN NO.	APPD.



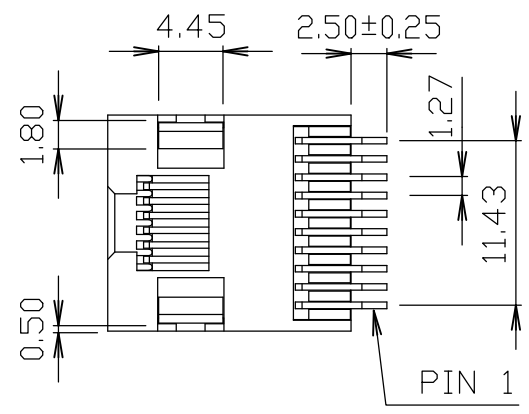
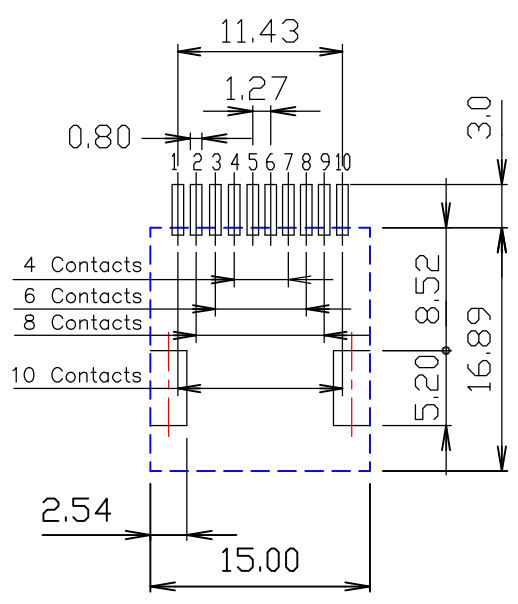
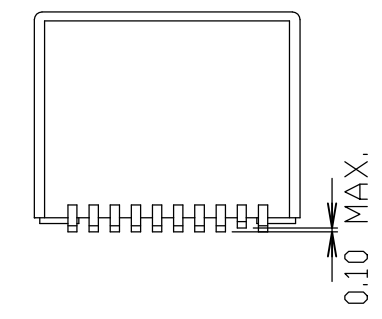
**Material:**

Housing: PA9T, UL94V-0.  
 Contacts: Phosphor Bronze, Gold Plated on Contact Area and Solder Tail over Nickel 50u".

**Electrical Characteristics:**

Current Rating: 1.5 AMP.  
 Insulation Resistance: 1000MΩ min.  
 Contact Resistance: 30mΩ max.  
 Operating Temperature: -40°C~+85°C.

**\*RoHS Compliant**



8949-P 10 x -06 B A

Series: 8949-P  
 10:10 Position: 10  
 10:10 Contacts: x  
 8:8 Contacts: -06  
 6:6 Contacts: B  
 4:4 Contacts: A

A: Tray Package  
 T: Tape & Reel Package  
 B: Black  
 06:06u" Gold Plated  
 15:15u" Gold Plated  
 30:30u" Gold Plated  
 50:50u" Gold Plated

P.C.Board Layout

Tolerances	Dwg No.	8949D02123		Title:	
x. = ±0.50	Projection	⊕ ⊖		8949-P Series	
.x = ±0.25	Unit	mm	Scale	1:N	
.xx = ±0.15	Drawn By	Sherry 05/06'19		Modular Jack	

① 563

<b>OUPIN</b>			
OUPIN ELECTRONIC(KUNSHAN) CO., LTD.			
P/N: 8949-P10x-06BA			
SHEET	1/1	Ver. No.	A3