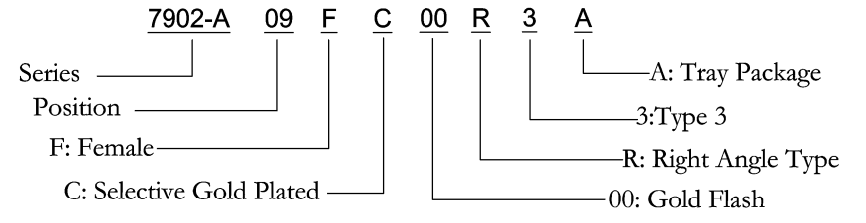
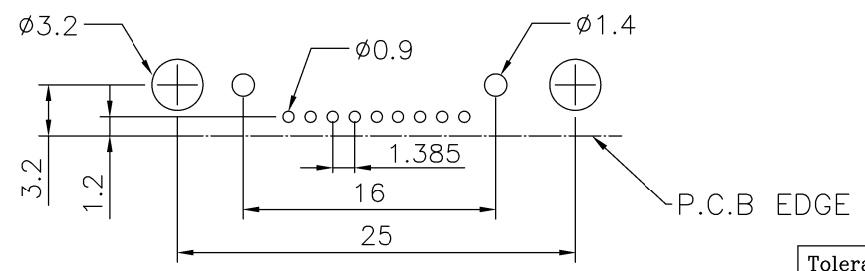
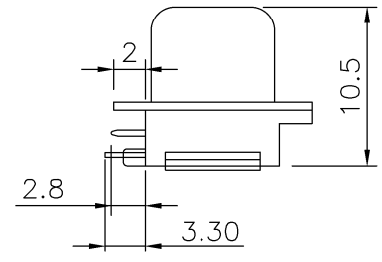
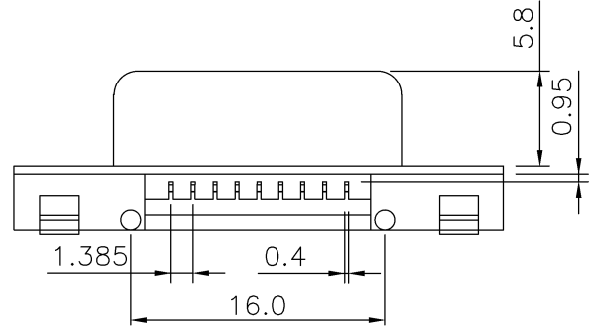
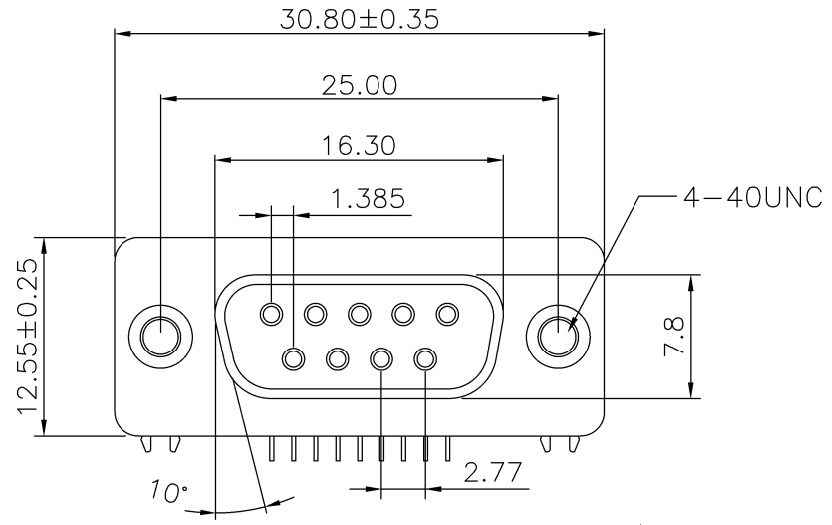


REV.	SPECIFICATION	ECN NO.	APPD.

Material:
Housing: LCP,UL94V-0.
Contacts: Phosphor Bronze , Gold Plated on Contact Area and 80u" Min Tin Plated on solder tail over Nickel 30u" Min.

Shell: Steel.
Electrical Characteristics:
Current Rating: 1 AMP.
Insulation Resistance: 1000MΩ min.
Contact Resistance: 20mΩ max.
Operating Temperature: -30°C~+105°C.
***RoHS Compliant**



Recommended P.C.B Layout

Tolerances	Dwg. No.	7902D02012	Title:		 OUPIIN ELECTRONIC(KUNSHAN) CO., LTD. P/N: 7902-A09FC00R3A SHEET 1/1 Ver.No. A7
.x = ±0.30	Projection			7902-A Series	
.xx = ±0.20	Unit	mm	Scale	1:N	
.xxx = ±0.05	Drawn By	Martin	09/22'22	Right Angle Type	