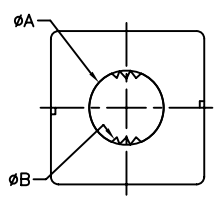
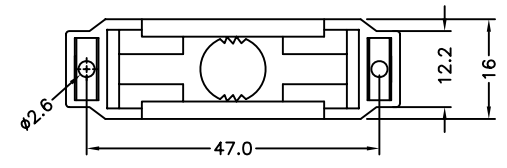
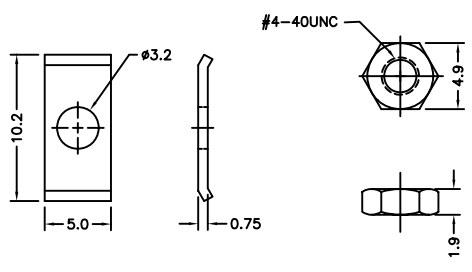
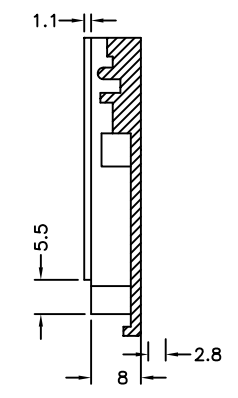
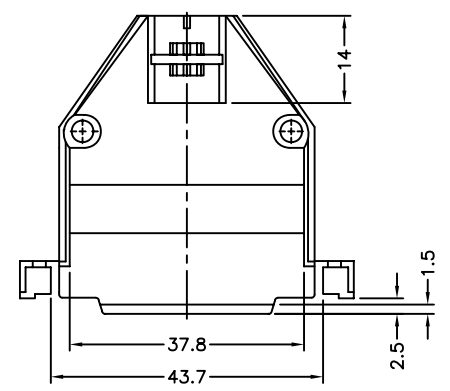
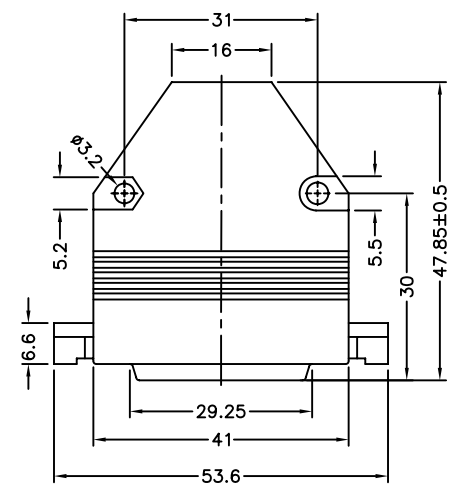
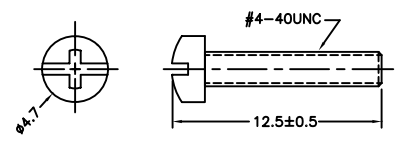
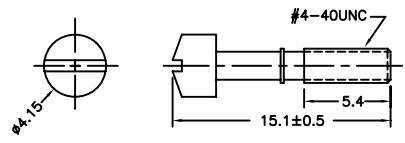


REV.	SPECIFICATION	ECN NO.	APPD.

RoHS Compliant



DP - 25 MV x P  
 Series Position Metal Cover x: Choice Of Code P: Individual Package  
 B: Bulk Package

Code	7	8	9	10	11	12
A	7.0	7.7	8.7	10.0	10.7	12.0
B	5.4	5.8	6.7	8.2	9.9	10.3

Tolerances	Drawn No.	DP00D00011
x = $\pm 0.5$	Projection	
.x = $\pm 0.35$	Unit	mm
.xx = $\pm 0.15$	Scale	1:1
	Drawn By	Sunny01/11/'11

Title: DP COVER  
 Metal Hood  
 0787

**OUPIN**  
 OUPIN ELECTRONIC(KUNSHAN) CO., LTD.  
 P/N: DP-25MVxP  
 SHEET 1/1 Ver.No. A2