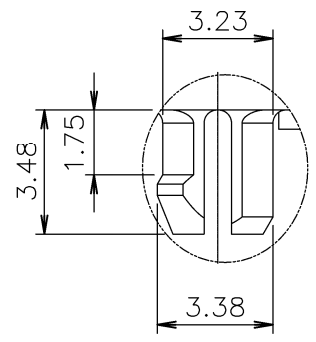
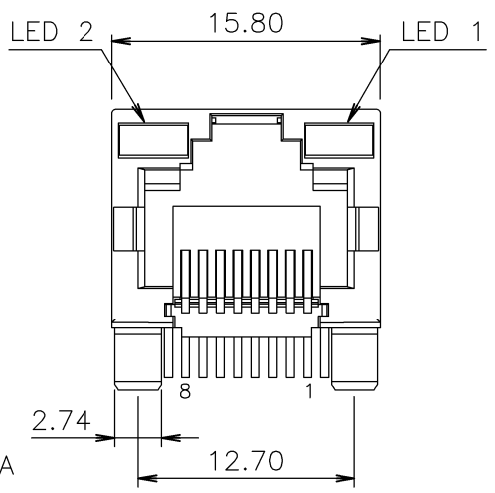
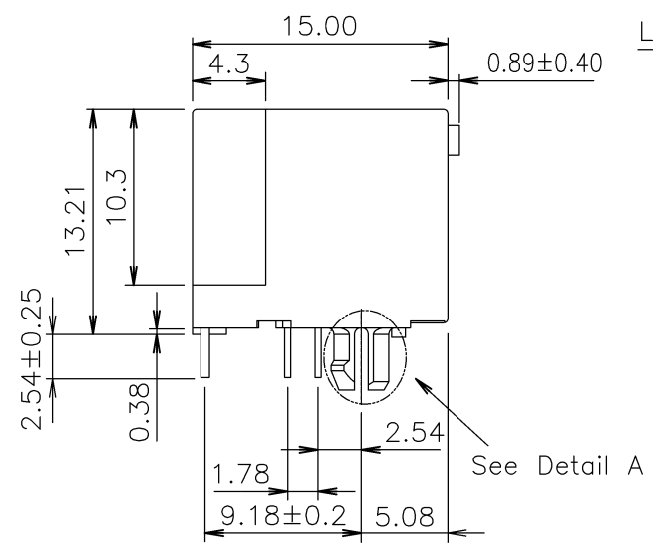


REV.	SPECIFICATION	ECN NO.	APPD.

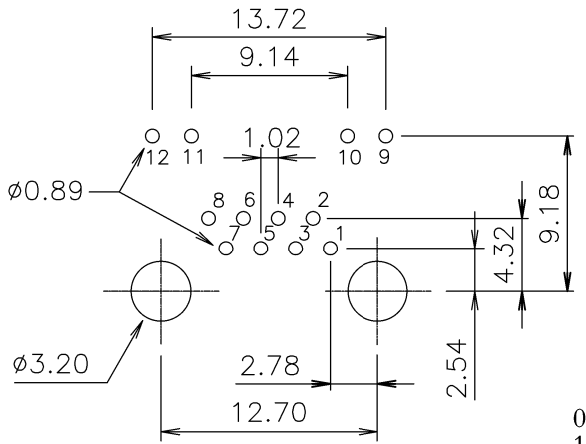
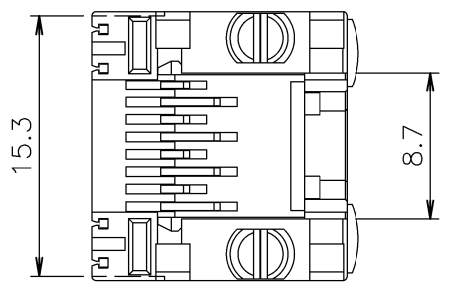
**Material and Plating:**  
Housing: PA46 UL94V-0.  
Contacts: Phosphor Bronze, Gold Plated on Contact Area and Gold Flash on Solder Tail over Nickel 50u".

**Electrical Characteristics:**  
Voltage Rating: AC 150V.  
Current Rating: 1.5 AMP.  
Dielectric Withstanding Voltage: 1000V for 1 minute.  
Insulator Resistance: 500MΩ min. at DC 500V.  
Contact Resistance: 30mΩ max. at DC 100mA.  
Operating Temperature: -40°C~+85°C.  
**\*RoHS Compliant**



DETAIL A

LED ELECTRICAL CHARACTERISTIC			
12+	11-	10+	9-
LED 2	LED 1		
12+	11-	10+	9-
LED 2	LED 1		
12+	11-	10+	9-
LED 2	LED 1		



PCB LAYOUT

8949-AL1 8 8 1 -06 A B A

Series ——— 8 8 1 ——— 06 A B A

8:8 Position ——— 8 8 1 ——— 06 A B A

8:8 Contact ——— 8 8 1 ——— 06 A B A

1:1 Port ——— 8 8 1 ——— 06 A B A

06: 6u" Gold Plated

15:15u" Gold Plated

30:30u" Gold Plated

50:50u" Gold Plated

A: Tray Package

B: Black

A:LED1:Green , LED2:Yellow

B:LED1:Green , LED2:Green

C:LED1:Yellow , LED2:Green

D:LED1:Yellow , LED2:Yellow

E:LED1:G+Y , LED2:Green

K:LED1:R+G , LED2:R+G

Tolerances	Dwg. No.	8949D02144	Title:		 DUPIN ELECTRONIC(KUNSHAN) CO., LTD. P/N: 8949-AL1881-06ABA SHEET 1/1 Ver.No. A6
.x = ±0.25	Projection		8949-AL1 Series		
.xx = ±0.13	Unit	mm	Scale	1:N	
.xxx = ±0.05	Drawn By	Martin 03/10'23	Modular Jack With LED		