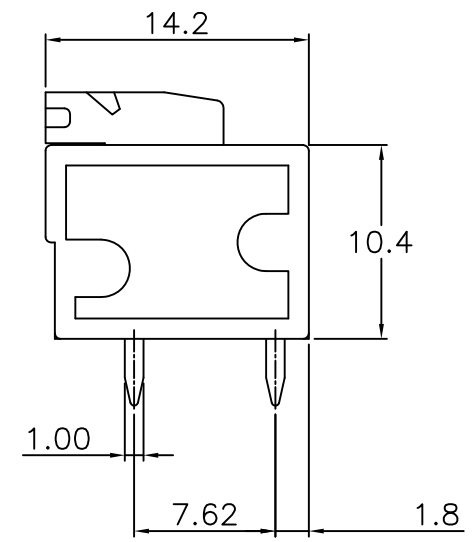
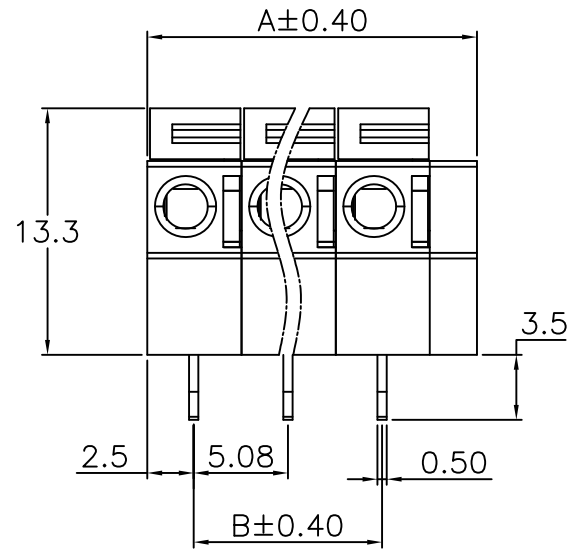
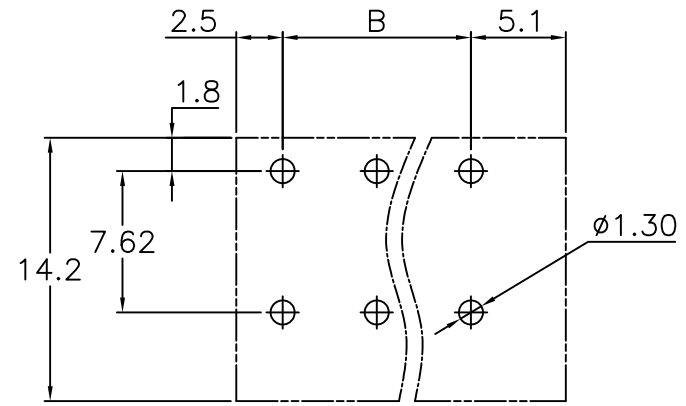


REV.	SPECIFICATION	ECN NO.	APPD.



Material:
Housing: Thermoplastic Polyester UL94V-0.
Solder Pin: Copper Alloy, Tin Plated.
Wire Guard: Metal.

Electrical Characteristics:
Voltage Rating: 300V.
Current Rating: 10A.
Solid Wire(AWG): 14~24.
Stranded Wire(AWG): 14~24.
Withstanding Voltage: 1.6KV.
Operating Temperature: -40°C~+115°C
***RoHS Compliant**



P.C. Board Layout

8935- G 133142 G xx R B
Series G:Pitch Manufacturing G:Green No. of R:Right B:Box
5.08mm Code O:Orange Positions Angle Package
Y:Grey

Position	2 Thre 24
Dimension	
A	No. of PositionsX5.08+2.54
B	(No. of Positions-1)X5.08

Tolerances	Dwg. No.	8935D02009	Title:		OUPIIN OUPIIN ELECTRONIC(KUNSHAN) CO., LTD. P/N: 8935-G133142GxxRB
X= ±0.50	Projection		8935 Series		
.X= ±0.30	Unit	mm	Scale	1:1	
.XX= ±0.15	Drawn By	Vic Lyu01/08'15	5.08mm Terminal Block		
			780	SHEET	1/1
				Ver.No.	X1