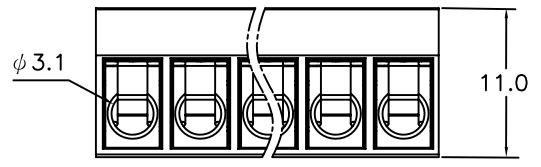
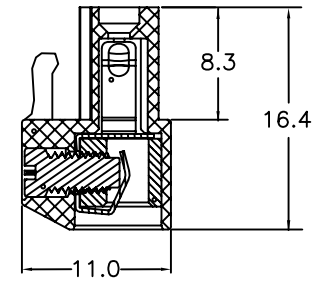
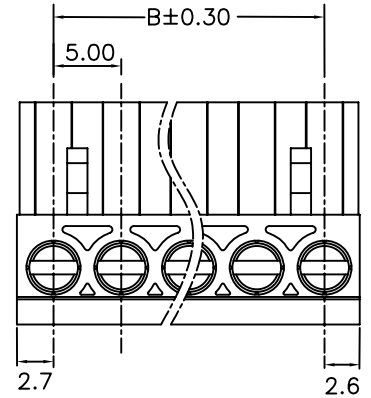
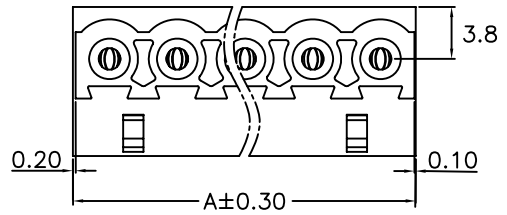


REV.	SPECIFICATION	ECN NO.	APPD.
A1			



Material:

Housing: Thermoplastic Polyester UL94V-0.
 Female Contact: Copper Alloy, Tin Plated.
 Clamp: Copper Alloy, Ni Plated.
 Screw: Metal, Zinc Plated, M3.

Electrical Characteristics:

Voltage Rating: 300V.
 Current Rating: 15A.
 Solid Wire(AWG): 12-22.
 Stranded Wire(AWG): 12-22.
 Torque: 4.3Lb-In.
 Wire Strip Length: 7-8mm.
 Withstanding Voltage: 1.6KV.
 Operating Temperature: -40°C~+115°C.

***RoHS Compliant**

8933- Series F Pitch 5.0mm 110164 Manufacturing Code G Green, B:Black, Y:Grey, U:Blue AA Slotted, "-" Screw CD W/O Flange xx No. of Positions B Bulk Package for 2~4Pos, Box Package for 5~24Pos.

Position	2 Thru 24
Dimension	
A	No. of Positions*5.0+0.3
B	(No. of Positions-1)*5.0

Tolerances	Dwg. No.	8933D02003
x = ±0.5	Projection	
.x = ±0.30	Unit	mm
.xx = ±0.15	Scale	1:1
	Drawn By	PEGGY08/07'12

Title: 8933 Series
 5.0mm Terminal Block
 (8500-xxFTR11-03)

OUPIN
OUPIN ELECTRONIC(KUNSHAN) CO., LTD.
 P/N: 8933-F110164GAACDxxB

SHEET	1/1	Ver.No.	A3
-------	-----	---------	----

0780