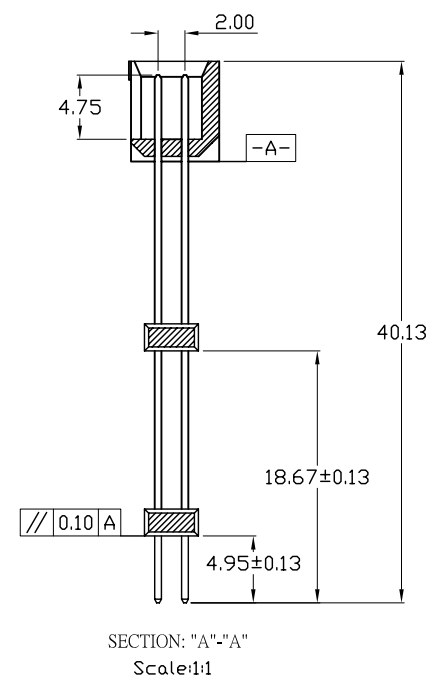
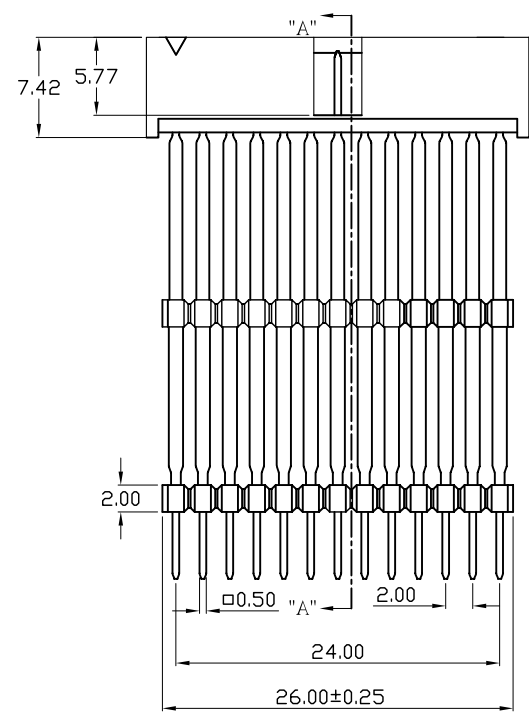
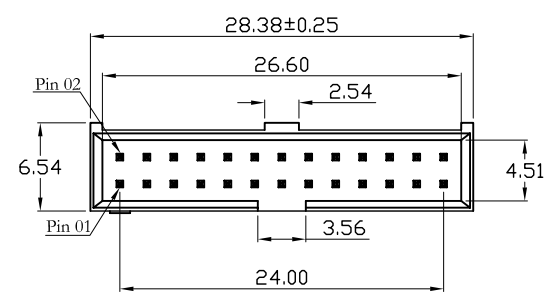
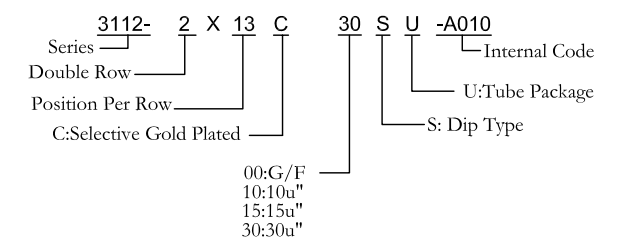


REV.	SPECIFICATION	ECN NO.	APPD.
R3		ECN131059	



Material:
Housing: High Temperature housing UL94V-0 .
Contacts: Copper Alloy

Electrical Characteristics:
Current Rating: 3 AMP at 80° ambient.
Dielectric Withstanding Voltage: AC 500V For 1 minute.
Insulator Resistance: 1000MΩ min. at DC 250V.
Contact Resistance: 30mΩ max. at DC 100mA.
Operating Temperature: -55°C ~+125°C .
***RoHS Compliant**



Tolerances	Dwg. No.	3112-D0000-018	Title:	3112 Series	OUPIN OUPIN ELECTRONIC(KUNSHAN) CO., LTD.
x = ±0.5	Projection		Box Header Connector	P/N: 3112-2X13C30SU-A010	
.x = ±0.25	Unit	mm	Scale	1:1	SHEET
.xx = ±0.15	Drawn By	LXT 09/09'13	2.00(0.079") Pitch Dip Type	1/1	Ver.No.
					R3