

REV.	SPECIFICATION	ECN NO.	APPD.

**Material:**

Housing: Thermoplastic Polyester UL94V-0.

Solder Pin: Copper Alloy, Tin Plated.

**Electrical Characteristics:**

Voltage Rating: 300V.

Current Rating: 2A.

Solid Wire(AWG): 20~26.

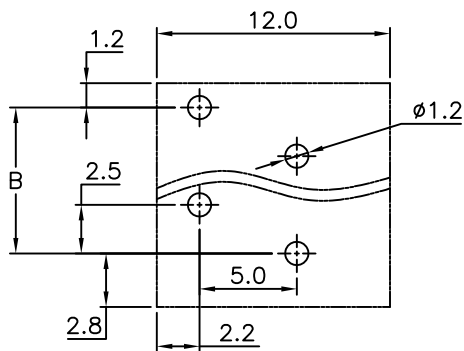
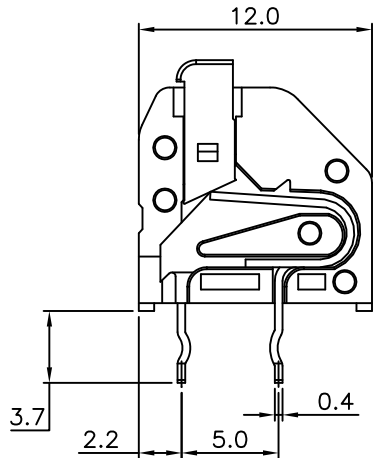
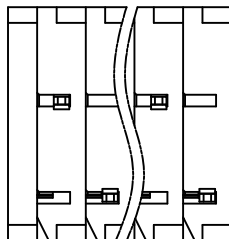
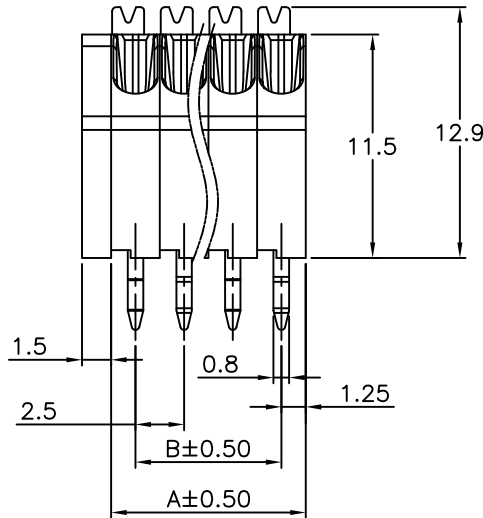
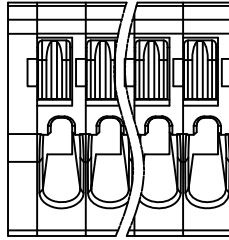
Stranded Wire(AWG): 20~26.

Wire Strip Length: 8.5~10mm.

Withstanding Voltage: 1.6KV.

Operating Temperature: -40°C~+115°C

**\*RoHS Compliant**



P.C. Board Layout

8935- Series    A A:Pitch 2.5mm    120129 Manufacturing Code    Y Y:Grey B:Black G:Green    EA EA Type    xx No. of Positions    S S:Straight    B B:Box Package

Position	2 Thru 24
Dimension	
A	No. of PositionsX2.5
B	(No. of Positions-1)X2.5

Tolerances	Dwg. No.	8935D02003
x= ±0.50	Projection	
.x= ±0.30	Unit	mm
.xx= ±0.15	Scale	1:1
	Drawn By	Vic Lyu01/08'15

Title:  
8935 Series  
2.5mm Terminal Block  
(8000-XXTS32-08)

OUPIIN ELECTRONIC(KUNSHAN) CO., LTD.			
P/N: 8935-A120129YEAXxSB			
SHEET	1/1	Ver.No.	X2