

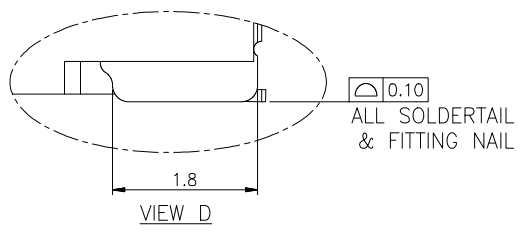
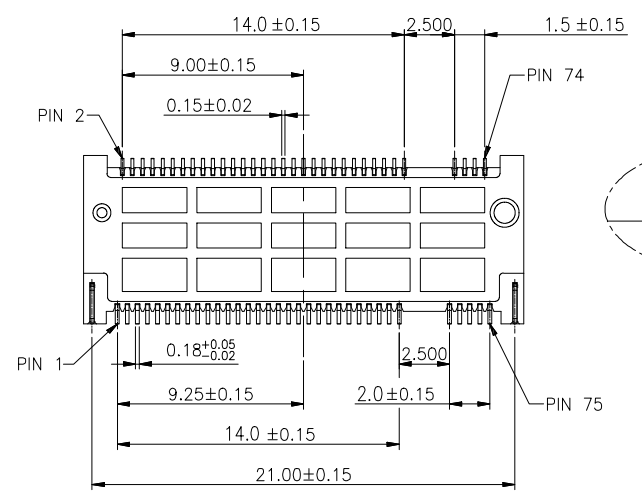
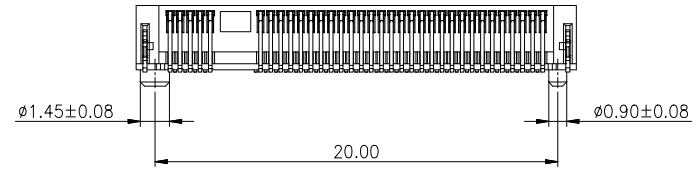
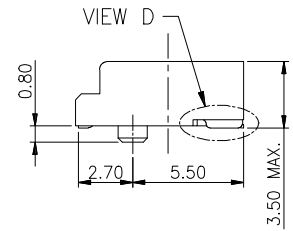
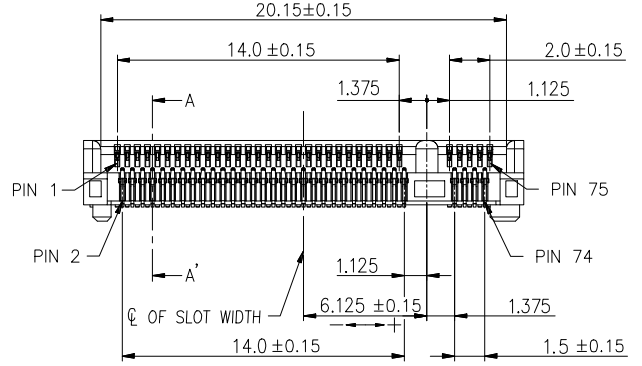
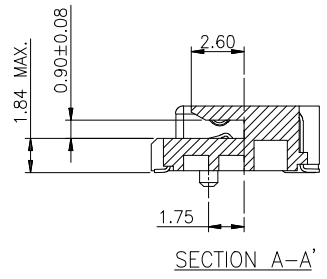
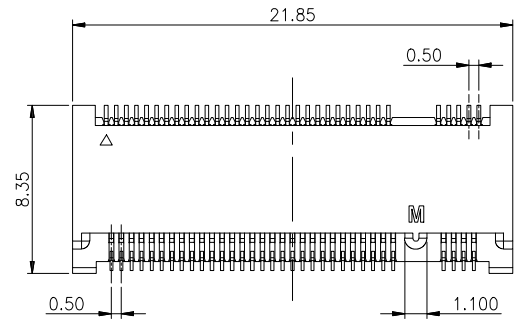
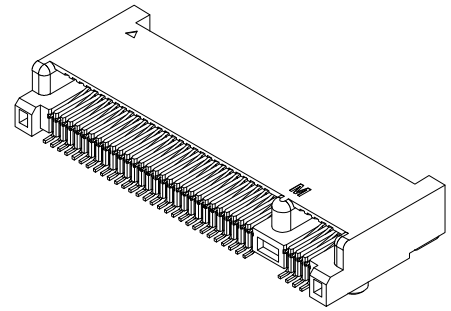
REV.	SPECIFICATION	ECN NO.	APPD.

**Material:**

**Housing:** LCP, UL94V-0, Black.  
**Contacts:** Phosphor Bronze, Gold Plated on Contact Area and Gold Flash on Solder Tail over Nickel 50~100u".  
**Fitting Nail:** Brass, 100~200u" Matte Tin Plated on Solder Tail; 50~100u" Nickel Plated overall.

**Electrical Characteristics:**

**Current Rating:** 0.5 AMP.  
**Dielectric Withstanding Voltage:** AC 300V.  
**Insulation Resistance:** 500MΩ min.  
**Contact Resistance:** 55mΩ max.  
**Operating Temperature:** -40°C~+80°C.  
**\*RoHS Compliant**



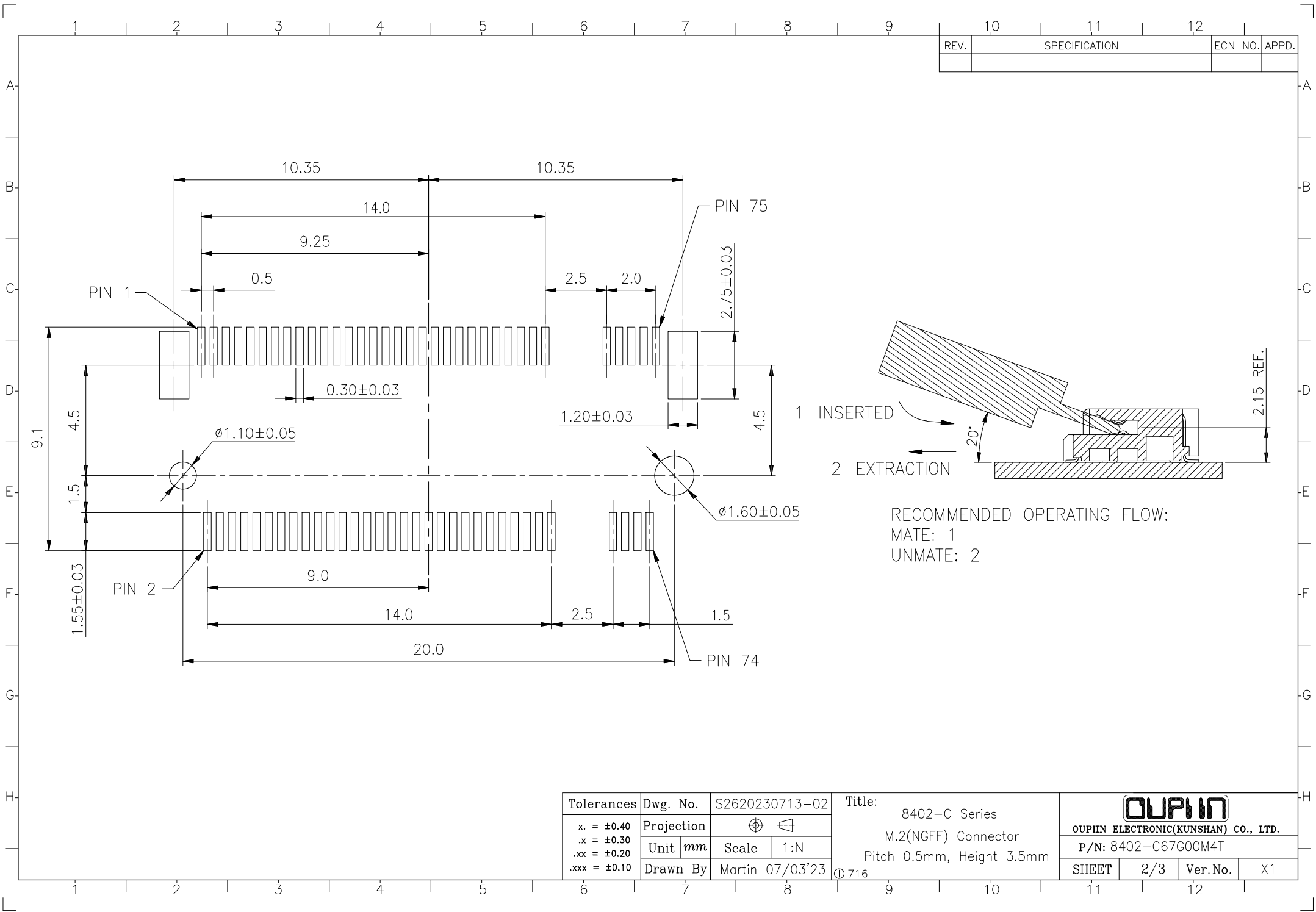
Series: 8402-C 67 G 00 M 4 T  
 Positions: 8402-C 67  
 G: Gold Plated  
 00: Gold Flash  
 15: 15u"  
 30: 30u"  
 T: Tape & Reel Package  
 4: Height 3.5mm  
 M: Key M

Tolerances	Dwg. No.	S2620230713-02		Title:	
x. = ±0.40	Projection	⊕ ⊖		8402-C Series	
.x = ±0.30	Unit	mm	Scale	M.2(NGFF) Connector	
.xx = ±0.20	Drawn By	Martin	1:N	Pitch 0.5mm, Height 3.5mm	
.xxx = ±0.10		07/03'23		① 716	

8402-C Series  
 M.2(NGFF) Connector  
 Pitch 0.5mm, Height 3.5mm  
 ① 716

<b>OUPIN</b>			
OUPIN ELECTRONIC(KUNSHAN) CO., LTD.			
P/N: 8402-C67G00M4T			
SHEET	1/3	Ver.No.	X1

REV.	SPECIFICATION	ECN NO.	APPD.



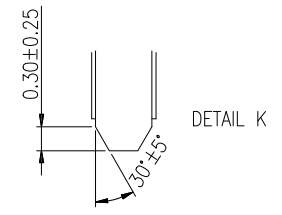
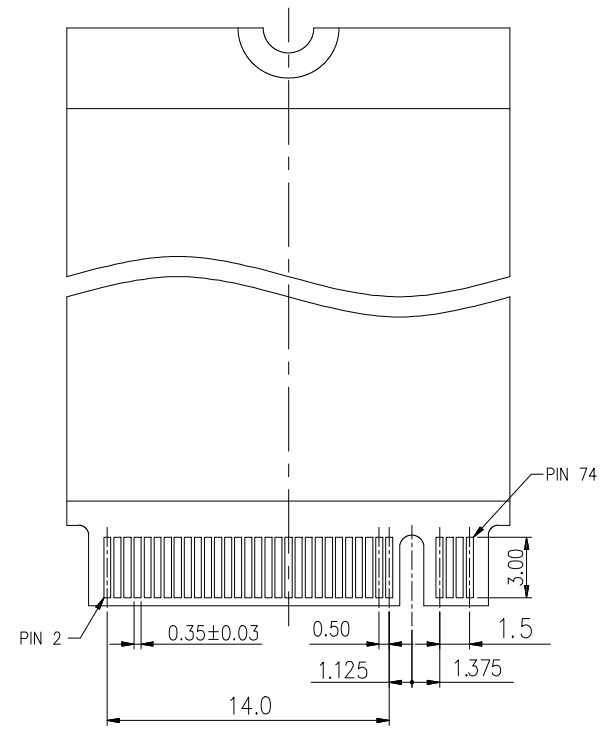
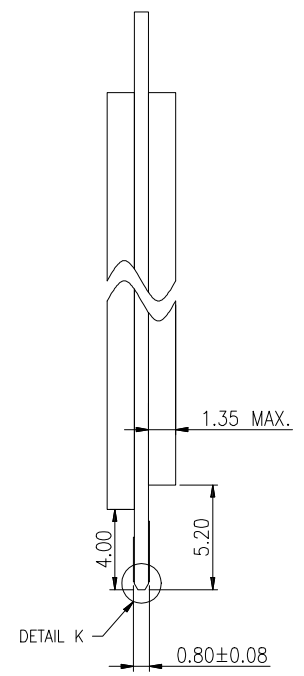
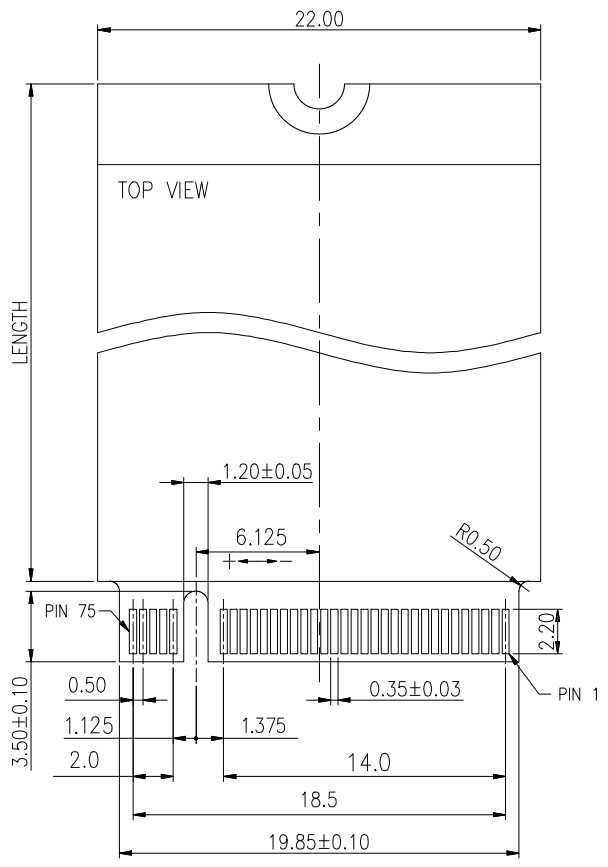
RECOMMENDED OPERATING FLOW:  
MATE: 1  
UNMATE: 2

Tolerances .x = $\pm 0.40$ .x = $\pm 0.30$ .xx = $\pm 0.20$ .xxx = $\pm 0.10$	Dwg. No.	S2620230713-02		
	Projection			
	Unit	mm	Scale	1:N
	Drawn By	Martin 07/03'23		

Title: 8402-C Series  
M.2(NGFF) Connector  
Pitch 0.5mm, Height 3.5mm

OUPIIN ELECTRONIC(KUNSHAN) CO., LTD.			
P/N: 8402-C67G00M4T			
SHEET	2/3	Ver.No.	X1

REV.	SPECIFICATION	ECN NO.	APPD.



<b>Tolerances</b> x. = ±0.40 .x = ±0.30 .xx = ±0.20 .xxx = ±0.10	Dwg. No.	S2620230713-02		
	Projection			
	Unit	mm	Scale	1:N
	Drawn By	Martin 07/03'23		

Title: 8402-C Series  
 M.2(NGFF) Connector  
 Pitch 0.5mm, Height 3.5mm  
 716

<b>OUPIIN ELECTRONIC(KUNSHAN) CO., LTD.</b>			
<b>P/N: 8402-C67G00M4T</b>			
SHEET	3/3	Ver.No.	X1