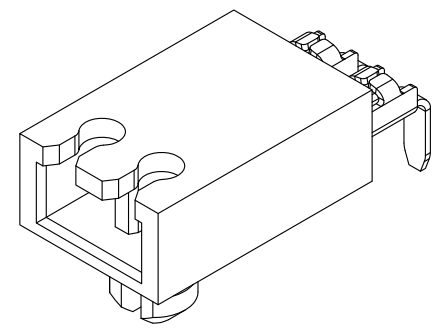
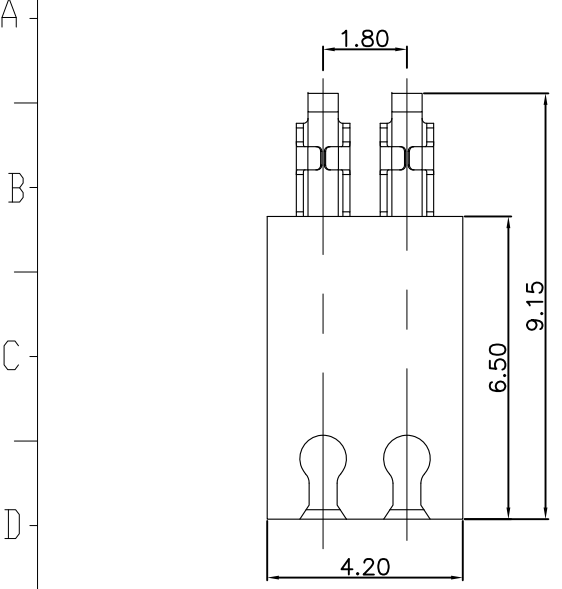
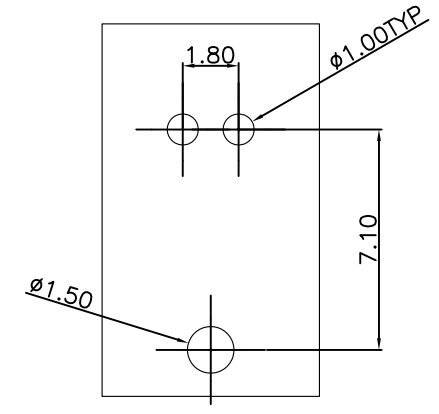
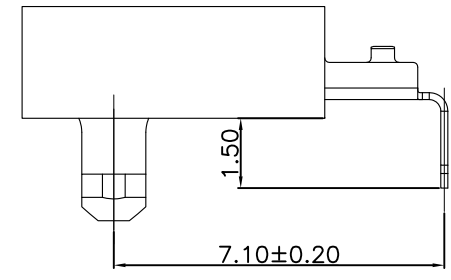
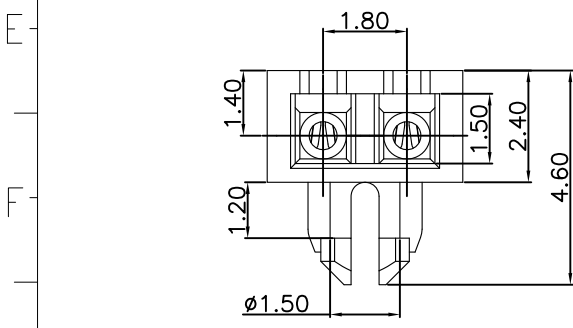


REV.	SPECIFICATION	ECN NO.	APPD.
R2			



Material:
Housing: High Temperature Plastic UL94V-0.
Contacts: Copper Alloy.
Electrical Characteristics:
Current Rating: 0.5 AMP.
Dielectric Withstanding Voltage: AC 800V For 1 minute.
Insulator Resistance: 100MΩ min.
Contact Resistance: 10mΩ max.(Without Cable Length)
Operating Temperature: -55°C ~ +105°C.
Wire: 25 or 26AWG
***RoHS Compliant**



PCB Board Layout

Series: 4190-
Position: 02
T: Tin Plated
R: Right Angle
P: With Post
U: Tube Package
N: Without Post

Tolerances X=±0.50 .X=±0.25 .XX=±0.15 .XXX=±0.10	DWG No.	4190-D0000-001		Title:			
	Projection			4190 Series			
	Unit	mm	Scale	3:1			
	Drawn By	LQ 03/20/17		SHEET 1/1 Ver.No. R2		OUPIIN ELECTRONIC(KUNSHAN) CO., LTD. P/N: 4190-02TRPU	