

REV.	SPECIFICATION	ECN NO.	APPD.
A3			

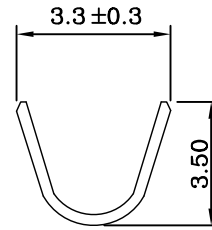
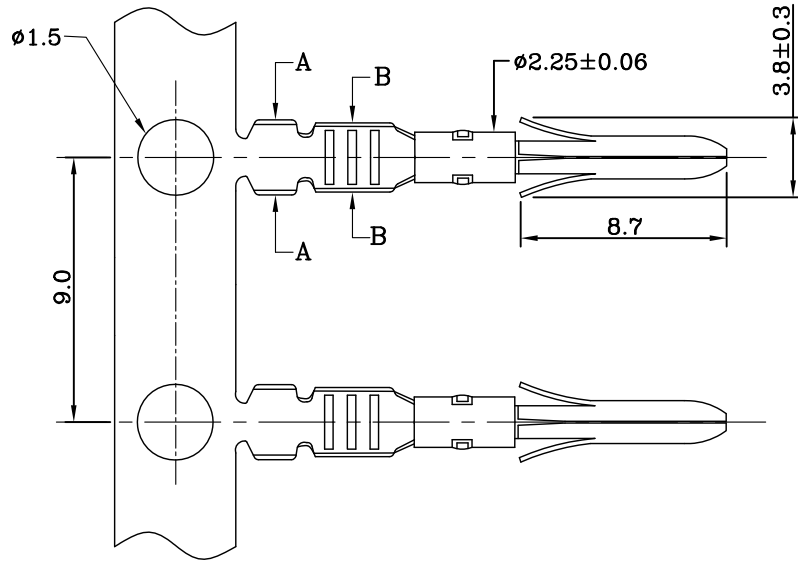
Material

Terminal Material: Copper Alloy(0.25mm Thickness).

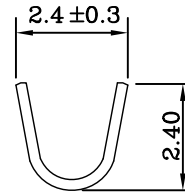
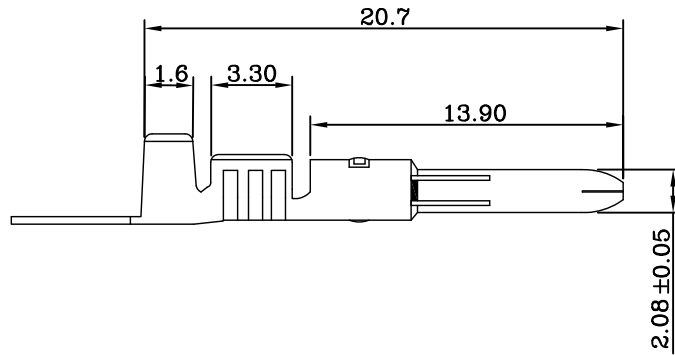
Terminal Plating: Tin Plated.

Recommend Wire: 18AWG to 22AWG.

***RoHS Compliant**


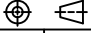


Section A-A



Section B-B

4874- Series PIN - M- 7K
M:Male 7K:Pins Per Reel

Tolerances	Dwg. No.	4874P01001		Title:		 OUPIIN ELECTRONIC(KUNSHAN) CO., LTD.			
x = ±0.35	Projection			4874 Series					
.x = ±0.25	Unit	mm	Scale	1:1		P/N: 4874-PIN-M-7K			
.xx = ±0.15	Drawn By	Vic Lyu11/12'14		Male Terminal		SHEET	1/1	Ver.No.	A4

① 704