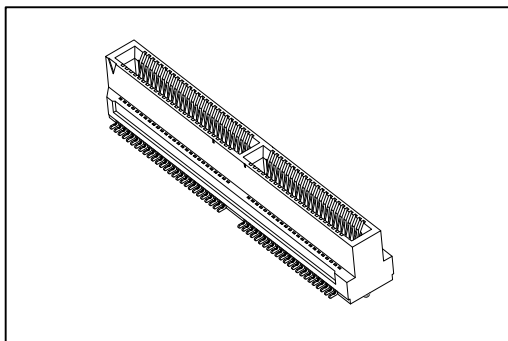




8208 Series

Mini Edge Card Connector 0.80mm (0.0315")



Material:

Housing: High Temperature Plastic UL94V-0.

Contacts: Copper Alloy.

Electrical Characteristics:

Current Rating: 1.8 A@30°C Temperature Rise.

Dielectric Withstanding Voltage: AC 600V.

Insulator Resistance: 100000MΩ min.

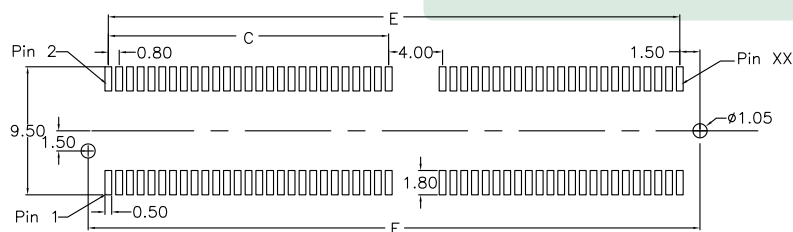
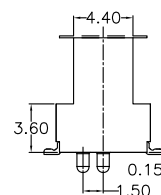
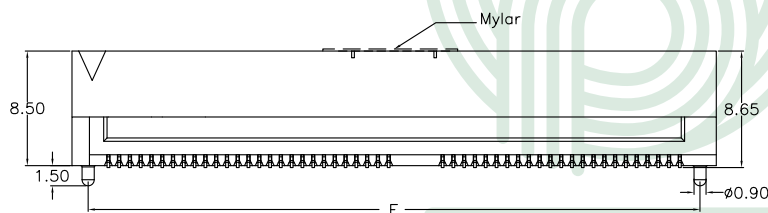
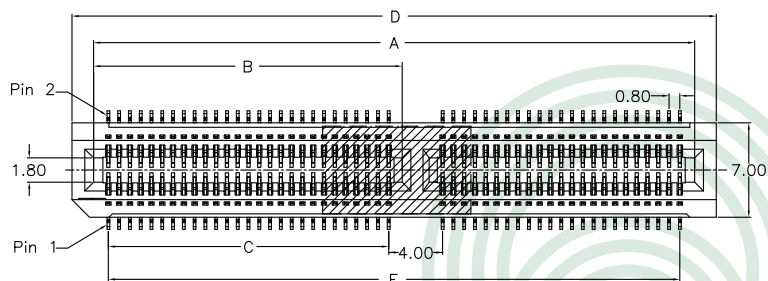
Contact Resistance: 15.8mΩ max.

Operating Temperature: -55°C~+125°C.

Features:

* Mates With: 1.6±0.05mm Thick Edge Card.

* Speed: 18Gbps @-3dB.



P.C. Board Layout

Position		**Available Position					
		Dimension					
		A	B	C	D	E	F
	80	36.60	18.90	16.80	39.80	34.40	37.40
	90	40.60	20.50	18.40	43.80	38.40	41.40
*	100	44.60	22.90	20.80	47.80	42.40	45.40
	120	52.60	26.90	24.80	55.80	50.40	53.40
	140	60.60	30.90	28.80	63.80	58.40	61.40

Ordering information

8208- 2 X 50 C *30 D P 1 T -S
 Series Double Row No. of C.Selective 30: 30µ" D: SMD Type P: With Post 1: With Front Key T: Tape & Reel S:Mylar
 Pin Per Row Gold Plated N: W/O Post Package P: Plastic Pad
 U: Tube Package

*Additional plating options available