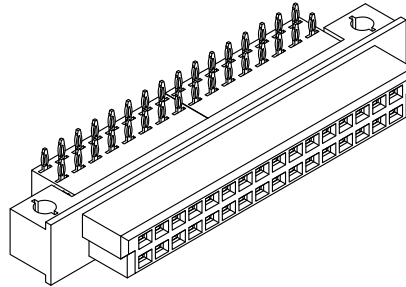
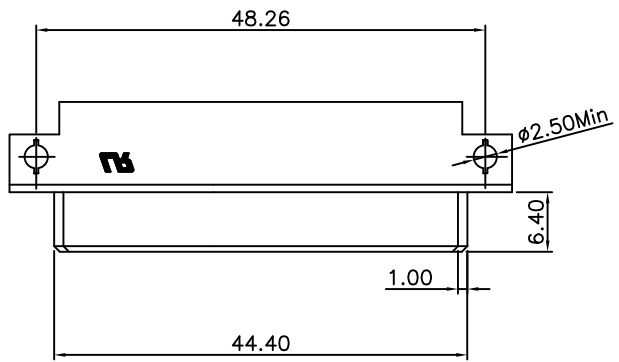


REV.	SPECIFICATION	ECN NO.	APPD.
R3		ECN180153	



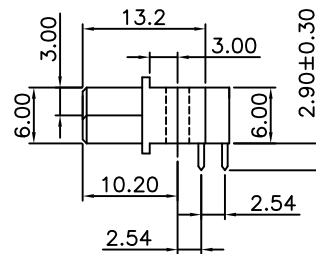
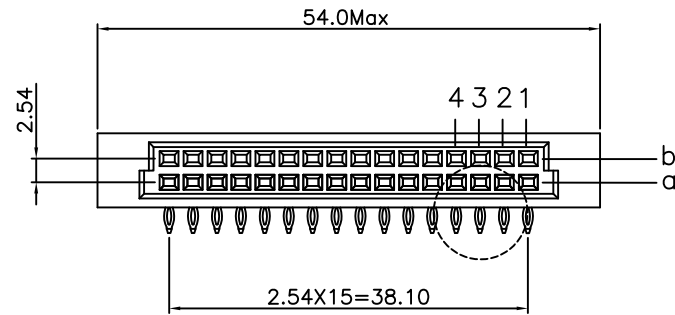
Material:

Housing: Thermoplastic Polyester Glass Filled UL94V-0.
 Contacts: Copper Alloy.

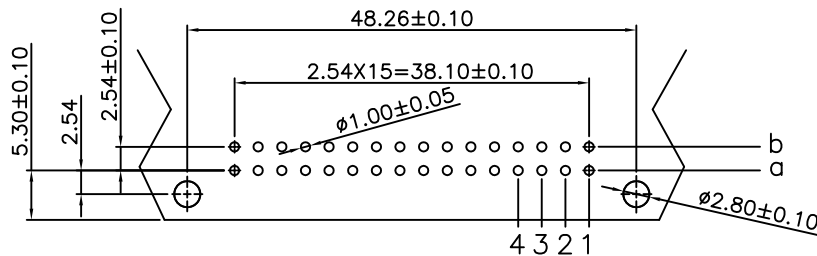
Electrical Characteristics:

Current Rating: 2 AMP.
 Dielectric Withstanding Voltage: AC 1000V For 1 minute.
 Insulator Resistance: 1000M Ω min. at DC 500V.
 Contact Resistance: 20m Ω max. at DC 100mA.
 Operating Temperature: -55°C ~+125°C .

***RoHS Compliant**



Press Fit Type



P.C. Board Layout

9001-A 3 8 xx 1 C xx P A
 Series | 3: 2.54mm | 8: Female | Position | 1: Dip Length | C: Dip Tin | Contact Gold Plated | G: Gold Plated | A: Tray Package | P: Press Fit | 00: G/F | 10: 10u" | 15: 15u" | 30: 30u"

Pitch	Position	Rows with Contacts	Contact Arrange
2.54mm	32	a b	4 3 2 1
	16	a -	4 3 2 1

Tolerances	Dwg. No.	9001D38004	
x = ±0.5	Projection		
.x = ±0.25	Unit	mm	Scale 1:1
.xx = ±0.15	Drawn By	MXM 01/31'18	

Title: 9001 Series
 DIN41612 Half
 Q Type Female

OUPIN			
OUPIN ELECTRONIC(KUNSHAN) CO., LTD.			
P/N: 9001-A38xx1CxxPA			
SHEET	1/1	Ver.No.	R3