

REV.	SPECIFICATION	ECN NO.	APPD.
R2		ECN220821	

Material and Plating:

Housing: LCP, UL94V-0, BLACK.
Power Contacts: High Conductivity Copper.
 30u"Au+Pd/Ni on Contact Area and 80u" Min Tin Plated on Solder Tail over Nickel 50u" Min .
Signal Contact: Brass.
 30u"Au+Pd/Ni on Contact Area and 80u" Min Tin Plated on Solder Tail over Nickel 50u" Min .

Electrical Characteristics:

Current Rating: Signal Pin 2.5 AMP.
 Power Pin 30 AMP.
Dielectric Withstanding Voltage: Signal Pin DC 1000V For 1 minute.
 Power Pin DC 2500V For 1 minute.
Insulator Resistance: Signal Pin 5000MΩ min. at DC 500V.
 Power Pin 20000MΩ min. at DC 500V.
Contact Resistance: Signal Pin 15mΩ max. at DC 20mA.
 Power Pin 0.7mΩ max. at DC 20mA.
Operating Temperature: -40°C ~+105°C .

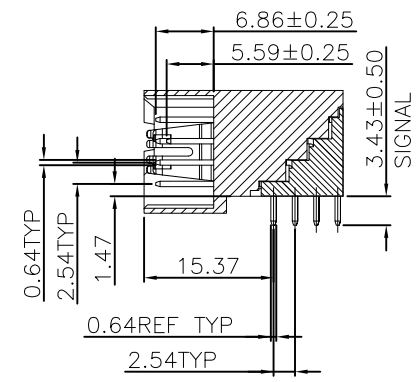
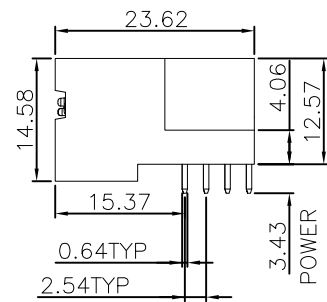
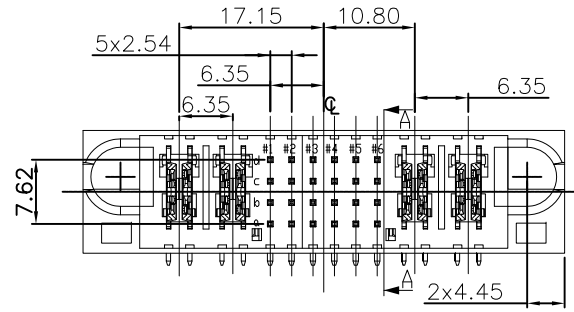
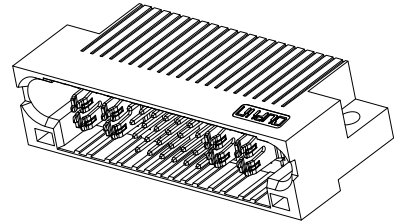
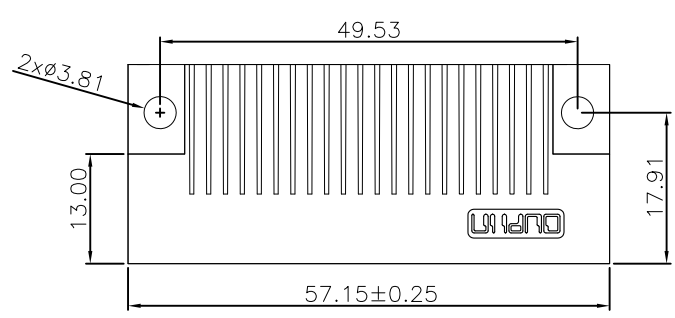
***RoHS Compliant**

Notes 1 :
 H: High density Power---PCB Mount 5.08mm Pitch
 P: DC Power---PCB Mount 6.35mm Pitch
 A: AC Power---PCB Mount 7.62mm Pitch
 S: Signal---PCB Mount 2.54mm Pitch

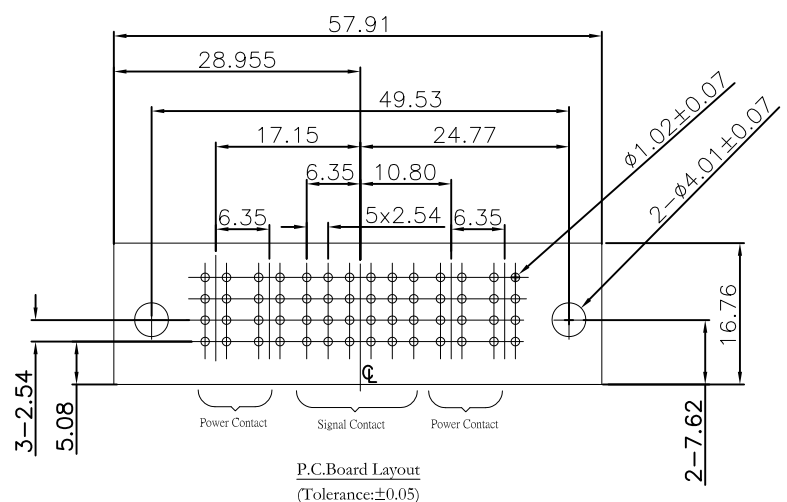
Notes 2 :
 A1,A2,A3,A4,B1,B5,C1,C6,D1,D5 Contact Length is 5.59mm.
 Other Pin Contact Length is 6.86mm.

ROWS	POWER		SIGNAL				POWER			
	P1	P2	1	2	3	4	5	6		P3
D			E	G	G	G	E	G		
C			E	G	G	G	E	G	MS	MS
B	MS	MS	E	G	G	G	E	G		
A			E	E	E	E	G	G		

SIGNAL PIN CONTACT LENGTH 4.32mm	H
SIGNAL PIN CONTACT LENGTH 5.59mm	E
SIGNAL PIN CONTACT LENGTH 7.05mm	F
SIGNAL PIN CONTACT LENGTH 6.86mm	G
HOT PLUG POWER CONTACT.STD	MS



Section:A-A
Scale:1:1



P.C.Board Layout
(Tolerance:±0.05)

9391-A 1 P02 S24 P02 CB 30 D A -A037
 Series Internal Code
 1: Male Right-angle A: Tray Package
 Blank:Without Contact D: Dip Type
 Power Contact: Hxx, Pxx, Axx 30: 30u"
 No. of position CB: Dip Tin Plated
 Contact Au+Pd/Ni Plated
 Blank:Without Contact
 Signal Contact: S xx Blank:Without Contact
 Power Contact: Hxx, Pxx, Axx
 No. of position

Tolerances	Dwg. No.	9391-D0000-339	
x = ±0.5	Projection	⊕ ⊚	
.x = ±0.25	Unit	mm	Scale 1:1
.xx = ±0.15	Drawn By	ZY 08/14'22	

Title: 9391 Series
Male Right-angle Dip Type

OUPIN
OUPIN ELECTRONIC(KUNSHAN) CO., LTD.
 P/N: 9391-A1P02S24P02CB30DA-A037
 SHEET 1/1 Ver. No. R2