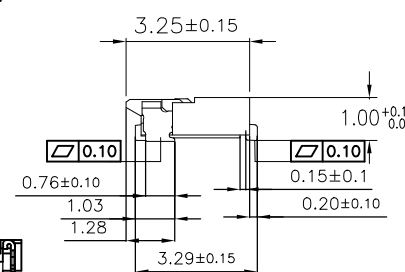
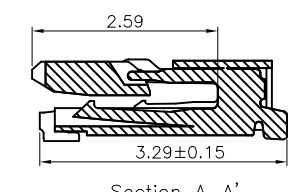


P.C.Board Layout

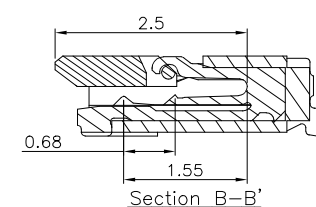
2566-G xx G 00 D T
 Series: 2566-G
 No. of Pin Positions: xx
 G: Gold Plated
 00: Gold Flash
 D: SMD Type
 T: Tape&Reel Package



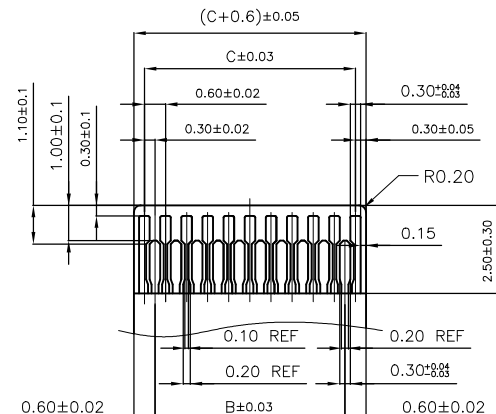
When Actuator Is Opened



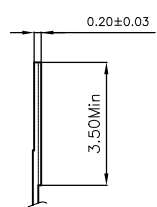
Section A-A'



Section B-B'



FPC Dimension



REV.	SPECIFICATION	ECN NO.	APPD.

Material:
 Housing: LCP, UL94V-0, Black.
 Actuator: LCP, UL94V-0, Black
 Contacts: Phosphor Bronze, Gold Plated on Contact Area and Gold Flash on Solder tail over Nickel 30u".
 Solder Tab: Phosphor Bronze, 80u" Matte Tin Plated over Nickel 30u".

Electrical Characteristics:
 Current Rating: 0.2 AMP.
 Dielectric Withstanding Voltage: AC 250V.
 Insulator Resistance: 50MΩ min.
 Contact Resistance: 40mΩ max.
 Operating Temperature: -55°C~+85°C.
***RoHS Compliant**

Positions	Dimension				
	A	B	C	D	E
13	5.40	3.00	3.60	4.25	4.90
15	6.00	3.60	4.20	4.85	5.50
17	6.60	4.20	4.80	5.45	6.10
19	7.20	4.80	5.40	6.05	6.70
21	7.80	5.40	6.00	6.65	7.30
23	8.40	6.00	6.60	7.25	7.90
25	9.00	6.60	7.20	7.85	8.50
27	9.60	7.20	7.80	8.45	9.10
29	10.20	7.80	8.40	9.05	9.70
31	10.80	8.40	9.00	9.65	10.30
33	11.40	9.00	9.60	10.25	10.90
35	12.00	9.60	10.20	10.85	11.50
39	13.20	10.80	11.40	12.05	12.70
41	13.80	11.40	12.00	12.65	13.30
45	15.00	12.60	13.20	13.85	14.50
49	16.20	13.80	14.40	15.05	15.70
51	16.80	14.40	15.00	15.65	16.30
57	18.60	16.20	16.80	17.45	18.10
61	19.80	17.40	18.00	18.65	19.30
67	21.60	19.20	19.80	20.45	21.10
71	22.80	20.40	21.00	21.65	22.30
73	23.40	21.00	21.60	22.25	22.90

Tolerances	Dwg. No.	2566D00003		Title:	2566-G Series
.X = ±0.30	Projection	⊕ ⊖			FPC Connector
.XX = ±0.20	Unit	mm	Scale	1.1	0.3mm Zif Flip Lock Type
.XXX = ±0.10	Drawn By	Martin 11/21'23		① 676	

OUPIIN			
OUPIIN ELECTRONIC(KUNSHAN) CO., LTD.			
P/N: 2566-GxxG00DT			
SHEET	1/1	Ver.No.	A2