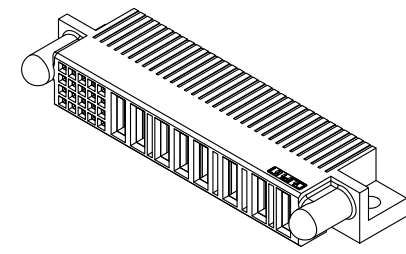
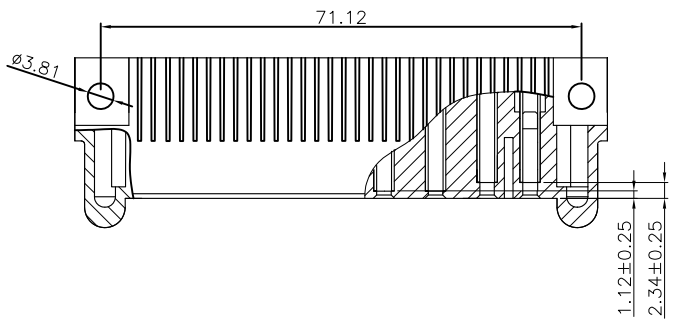


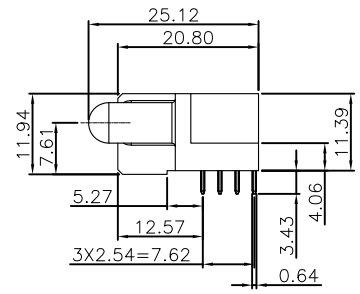
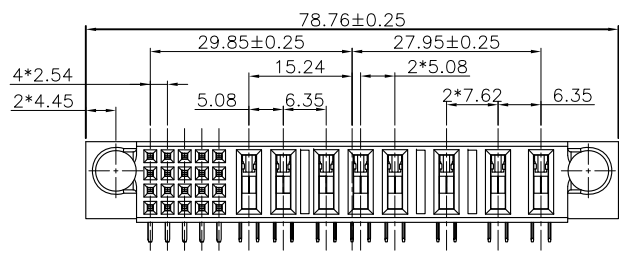
REV.	SPECIFICATION	ECN NO.	APPD.
X2			



Material and Plating:
Housing: LCP, UL94V-0, BLACK.
Power Contacts: High Conductivity Copper.
5 μ m Gold Plated on Contact Area and
80 μ m Tin Plated on Solder Tail over Nickel 50 μ m.
Signal Contacts: Phosphor Bronze.
5 μ m Gold Plated on Contact Area and
80 μ m Tin Plated on Solder Tail over Nickel 50 μ m.

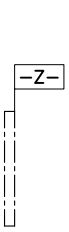
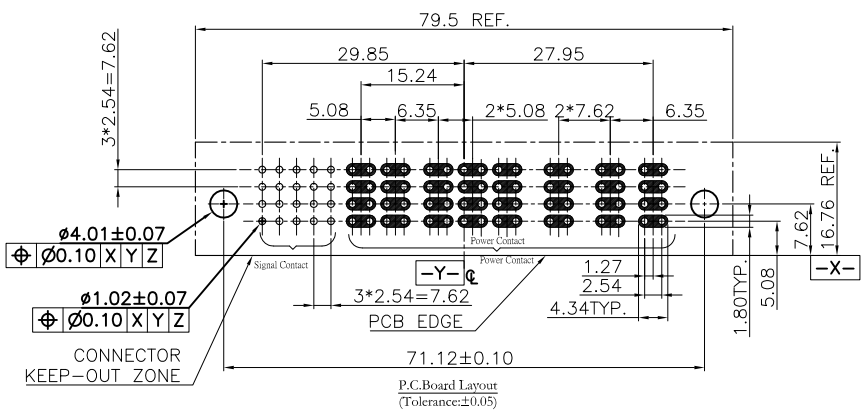
Electrical Characteristics:
Current Rating: Signal Pin 2.5 AMP.
Power Pin 30 AMP.
Dielectric Withstanding Voltage:
Signal Pin DC 1000V For 1 minute.
Power Pin DC 2500V For 1 minute.
Insulator Resistance: Signal Pin 5000M Ω min. at DC 500V.
Power Pin 20000M Ω min. at DC 500V.
Contact Resistance: Signal Pin 15m Ω max. at DC 20mA.
Power Pin 0.7m Ω max. at DC 20mA.
Operating Temperature: -40°C ~+105°C.

***RoHS Compliant**
Notes 1 :
H: High density Power---PCB Mount 5.08mm Pitch
P: DC Power---PCB Mount 6.35mm Pitch
A: AC Power---PCB Mount 7.62mm Pitch
S: Signal---PCB Mount 2.54mm Pitch



		SIGNAL								POWER								ROWS	
		5	4	3	2	1	P8	P7	P6	P5	P4	P3	P2	P1					
HD	L	L	L	L	L	L	FM	FM	FM	FM	FS	FS	FM	FM	HD	L	D	C	
		L	L	L	L	L	FM	FM	FM	FM	FS	FS	FM	FM			B	B	
		L	L	L	L	L	FM	FM	FM	FM	FS	FS	FM	FM			A	A	
		L	L	L	L	L	FM	FM	FM	FM	FS	FS	FM	FM			A	A	

POWER CONTACT TO THE TOP DISTANCE 2.34mm, THE MATING LENGTH 4.06mm	FM
POWER CONTACT TO THE TOP DISTANCE 1.07mm, THE MATING LENGTH 5.33mm	FS
SIGNAL CONTACT 3.43 SOLDER TAIL, PD/NI	L



9391-A 4 S20 H2 P H3 A A1 A P2 C 05 D A -A010

Series
4: Female Right-angle
Blank: Without Contact
Signal Contact: S xx
No. of position
Blank: Without Contact
Power Contact: Hxx, Pxx, Axx
No. of position
Power of the Pitch adjacent(A or P or H)
Blank: Without Contact
Power Contact: Hxx, Pxx, Axx
No. of position
Power of the Pitch adjacent(A or P or H)
Blank: Without Contact
Power Contact: Hxx, Pxx, Axx
No. of position
Power of the Pitch adjacent(A or P or H)

Internal Code
A: Tray Package
D: Dip Type
05: 05 μ m
C: Selective Gold Plated
Blank: Without Contact
Power Contact: Hxx, Pxx, Axx
No. of position
Power of the Pitch adjacent(A or P or H)
Blank: Without Contact
Power Contact: Hxx, Pxx, Axx
No. of position
Power of the Pitch adjacent(A or P or H)

Tolerances	Dwg. No.	9391-D0000-241	Title:		 OUPIN ELECTRONIC(KUNSHAN) CO., LTD. P/N: 9391-A4S20H2PH3AA1AP2C05DA-A010 SHEET 1/1 Ver. No. X2			
x = ±0.5	Projection		9391 Series					
.x = ±0.25	Unit	mm	Female Right-angle					
.xx = ±0.15	Scale	1:1	Dip Type					
	Drawn By	CXP 12/04'18						