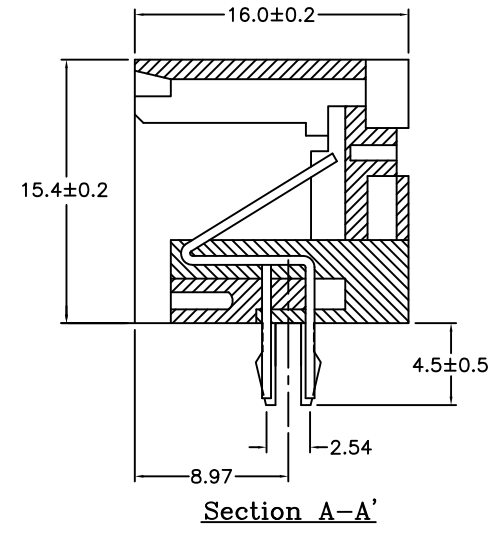
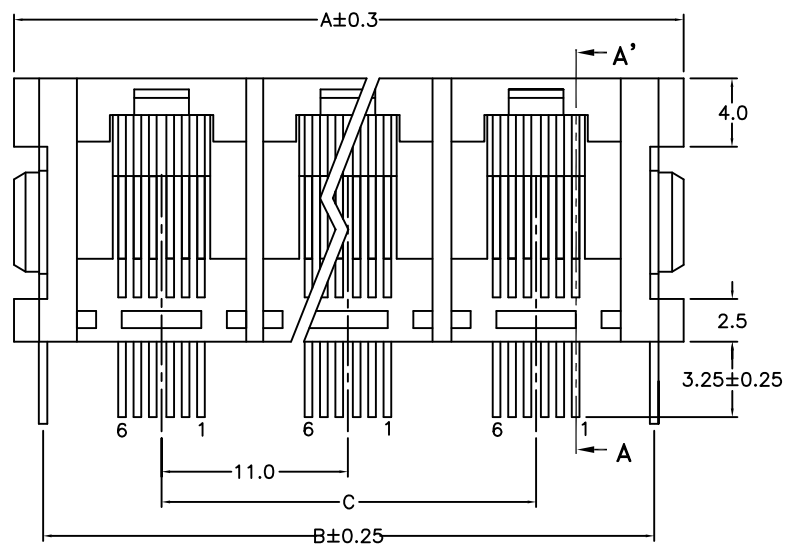
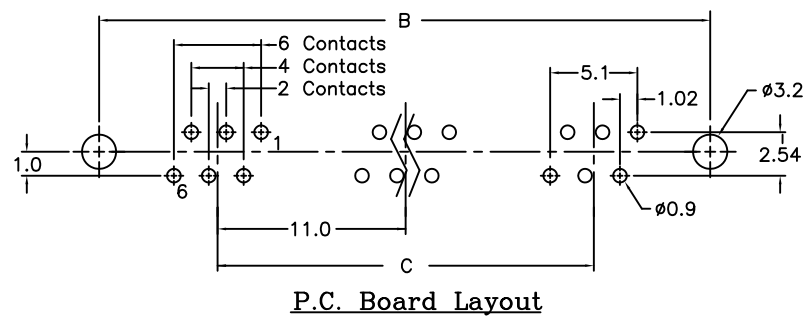


REV.	SPECIFICATION	ECN NO.	APPD.



Material:
Housing: Thermoplastic Polyester Glass Filled UL94V-0.
Contacts: Copper Alloy.
Plating: Gold plated on contact area over Nickel.
Electrical Characteristics:
Voltage Rating: AC 150V.
Current Rating: 1.5 AMP.
Dielectric Withstanding Voltage: 1000V for 1 minute.
Insulator Resistance: 500MΩ min. at DC 500V.
Contact Resistance: 30mΩ max. at DC 100mA.
Operating Temperature: -40°C~+85°C.
Mechanical Characteristics:
Mating Force: 2.1 kgf max.
Durability: 750 Cycles.
***RoHS Compliant**



8949-I 6 6 X -06 Y A
Series 6: 6 Position Housing (Only) 6: 6 Contacts Loaded 4: 4 Contacts Loaded 2: 2 Contacts Loaded
Ports (1~8 Port) 06: 6 μ" Gold Plated 15: 15 μ" Gold Plated 30: 30 μ" Gold Plated 50: 50 μ" Gold Plated
Y: Grey A: Tray Package

Dimensions	No. of Port							
	1	2	3	4	5	6	7	8
A	17.00	28.00	39.00	50.00	61.00	72.00	83.00	94.00
B	13.8	24.8	35.8	46.8	57.8	68.8	79.8	90.8
C		11.00	22.00	33.00	44.00	55.00	66.00	77.00

Tolerances	Dwg. No.	8949D02007	Title:	 OUPIIN ELECTRONIC(KUNSHAN) CO., LTD. P/N: 8949-I6xx-06YA SHEET 1/1 Ver.No. A5			
x = ±0.50	Projection		8949-I Series				
.x = ±0.25	Unit	mm	Gang Jack				
.xx = ±0.15	Scale	1:1					
	Drawn By	Vic Lyu10/23'15	① 563				