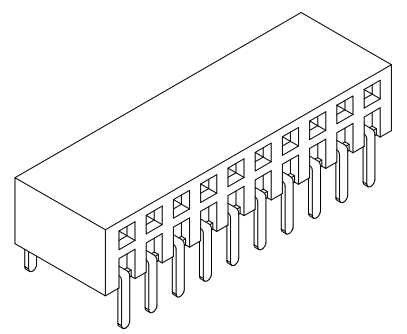
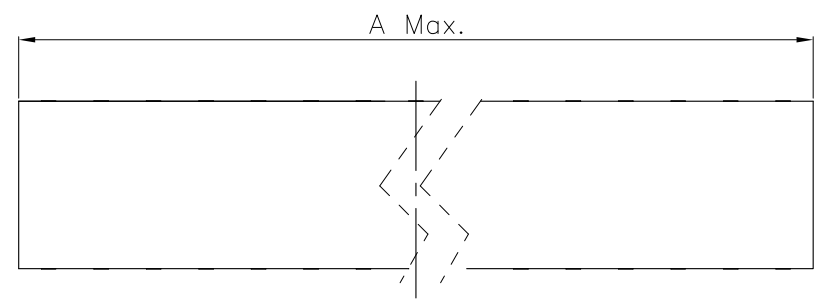
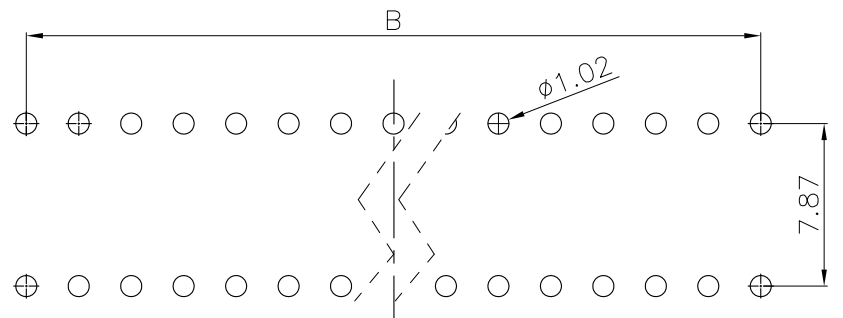
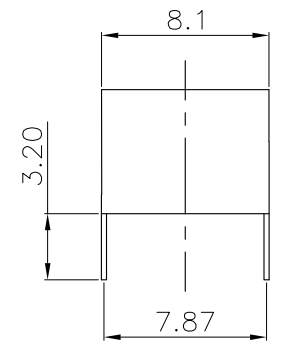
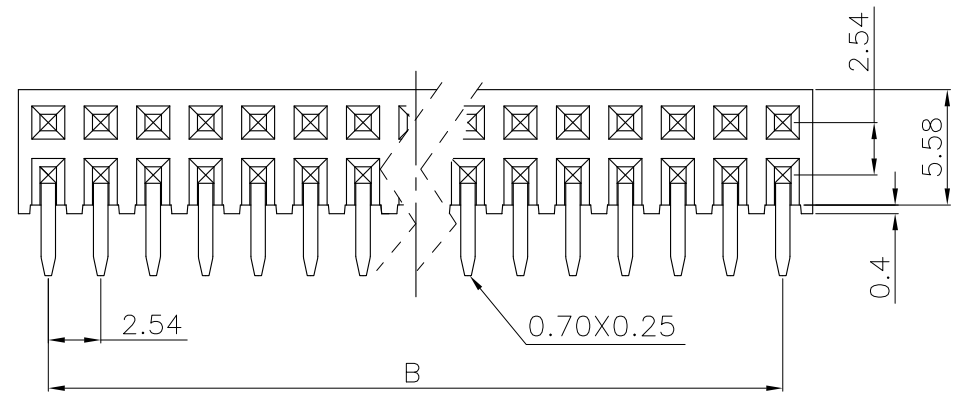


REV.	SPECIFICATION	ECN NO.	APPD.
R1			



Material:
Housing: 30% Glass Filled PBT UL94V-0.
Contacts: Phosphor Bronze.
Electrical Characteristics:
Current Rating: 2 AMP.
Dielectric Withstanding Voltage: AC 1000V For 1 minute.
Insulator Resistance: 1000MΩ min. at DC 500V.
Contact Resistance: 20mΩ max. at DC 100mA.
Operating Temperature: -55°C ~ +105°C .
***RoHS Compliant**
Insertion Depth: 3.40mm to 6.90mm.



P.C. Board Layout
(Tolerance: ±0.05)

2049- 2 X xx G xx U
 Series
 Double Row
 No. of Pin Per Row
 G: Gold Plated
 T: Tin Plated
 U: Tube Package
 00: G/F
 10: 10 μ"
 15: 15 μ"
 30: 30 μ"

Position	4 Thru 80
Dimension	
A	2.54 X No. of Positions/2
B	2.54 X No. of Positions/2 -2.54

Tolerances	Drawn No.	2049-D0000-002
x = ±0.5	Projection	
.x = ±0.25	Unit	mm
.xx = ±0.15	Scale	1:1
	Drawn By	FHY03/02'09

Title: 2049 Series
 P.C.B.Socket 2.54mm(0.100")

OUPIN
 OUPIIN ELECTRONIC(KUNSHAN) CO., LTD.
 P/N: 2049-2XxxGxxU
 SHEET 1/1 Ver. No. R1