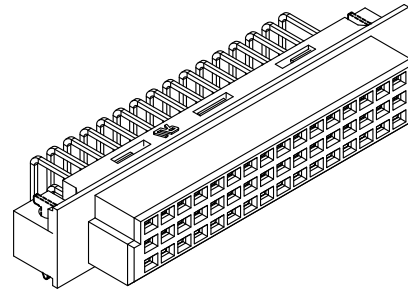
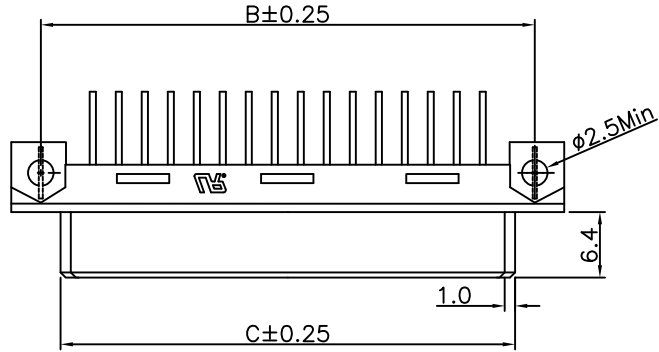


REV.	SPECIFICATION	ECN NO.	APPD.
R5		ECN220502	



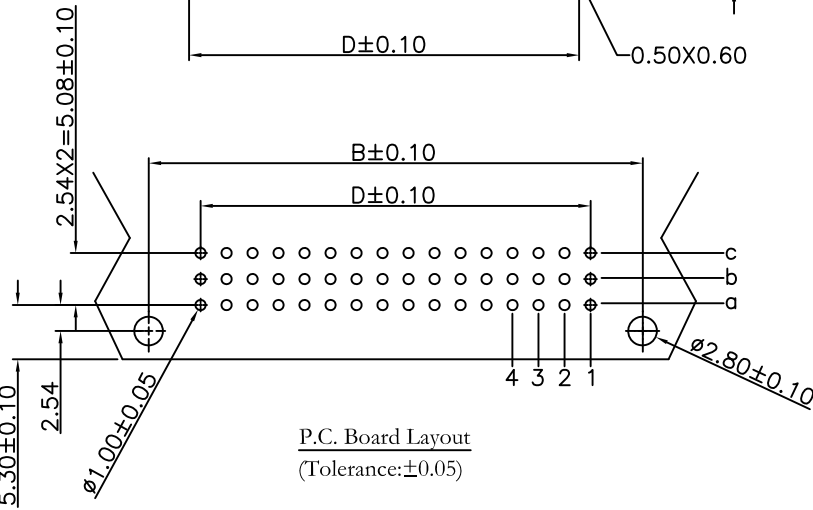
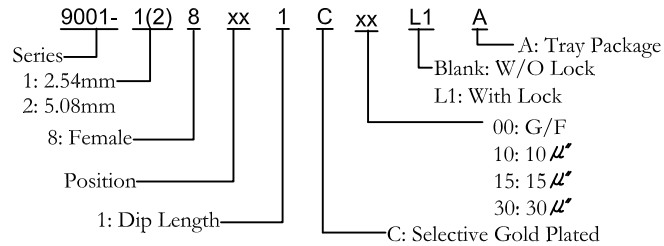
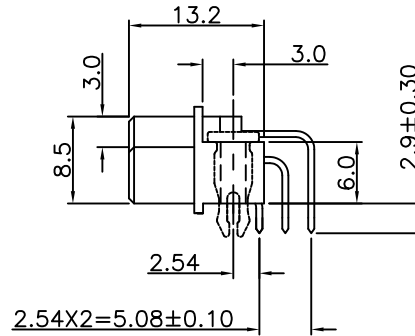
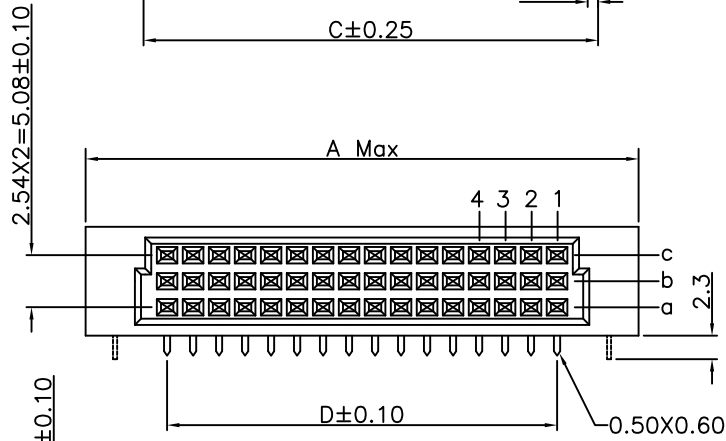
**Material and Plating:**

Housing: PBT, UL94V-0, Beige  
 Contacts: Copper Alloy  
 Lock: Phosphor Bronze  
 Gold plated on Contact Area and 80u" Min Tin Plated on Solder Tail over Nickel 50u" Min.

**Electrical Characteristics:**

Current Rating: 2 AMP.  
 Dielectric Withstanding Voltage: AC 1000V For 1 minute.  
 Insulator Resistance: 10<sup>6</sup> MΩ min. at DC 500V.  
 Contact Resistance: 20mΩ max. at DC 100mA.  
 Operating Temperature: -55°C~+125°C .

**\*RoHS Compliant**



		Dimension			
Position		A	B	C	D
48/32/24/16/8		54.0	48.26	44.40	38.10
30/20/15/10/5		38.8	33.02	29.20	22.86
Pitch	Position (n)	Rows with Contacts	Contact Arrange	P/N	
2.54mm	48	a b c		9001-18481C~	
	32	a - c		9001-18321C~	
	30	a b c		9001-18301C~	
	20	a - c		9001-18201C~	
	16	a - -		9001-18161C~	
5.08mm	10	a - -		9001-18101C~	
	24	a b c		9001-28241C~	
	16	a - c		9001-28161C~	
	15	a b c		9001-28151C~	
	10	a - c		9001-28101C~	
	8	a - -		9001-28081C~	
	5	a - -		9001-28051C~	

Tolerances	Dwg. No.	9001D18001		Title:	
x = ±0.5	Projection			9001 Series DIN41612 Half R Type Female	
.x = ±0.25	Unit	mm	Scale		1:1
.xx = ±0.15	Drawn By	ZY 05/05'22			

<b>OUPIN</b>			
OUPIN ELECTRONIC(KUNSHAN) CO., LTD.			
P/N: 9001-1(2)8xx1CxxL1A			
SHEET	1/1	Ver. No.	R5