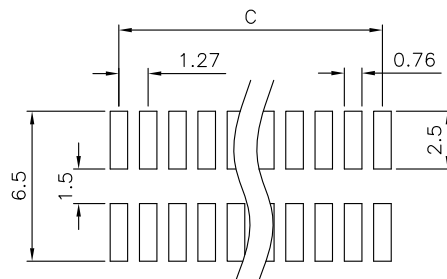
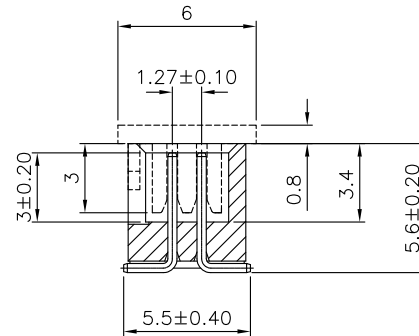
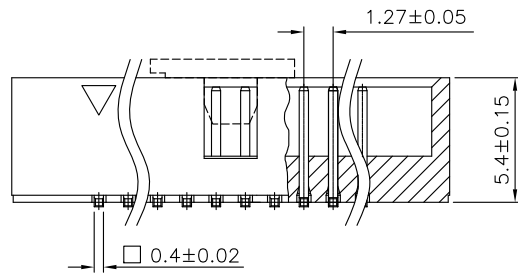
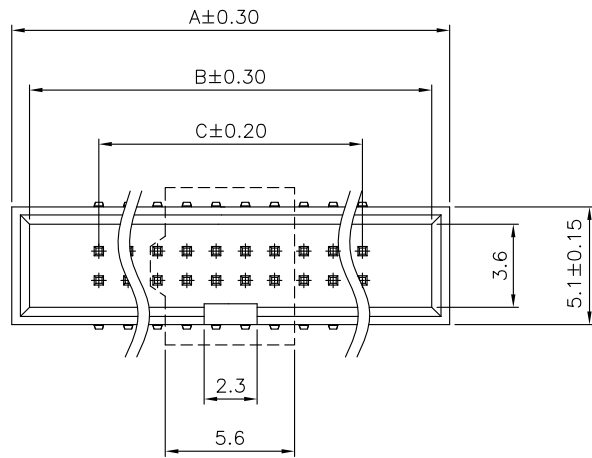


REV.	SPECIFICATION	ECN NO.	APPD.
B4			



P.C.Board Layout

Material:

Housing: High Temperature Plastic UL94V-0.

Contacts: Copper Alloy.

Electrical Characteristics:

Current Rating: 1 AMP.

Dielectric Withstanding Voltage: 500V AC .

Insulator Resistance: 1000 MΩ min.

Contact Resistance: 20 mΩ max. at DC 100 mA.

Operating Temperature: -40°C~+105°C.

***RoHS Compliant**

Position	Dimension		
	A	B	C
10	12.65	11.10	5.08
12	13.92	12.37	6.35
14	15.19	13.64	7.62
16	16.46	14.91	8.89
20	19.00	17.45	11.43
24	21.54	19.99	13.97
26	22.81	21.26	15.24
28	24.08	22.53	16.51
30	25.35	23.80	17.78
34	27.89	26.34	20.32
40	31.70	30.15	24.13
44	34.24	32.69	26.67
50	38.05	36.50	30.48
60	44.40	42.85	36.83
64	46.94	45.39	39.37
68	49.48	47.93	41.91
80	57.10	55.55	49.53
100	69.80	68.25	62.23

3216-xx G 00 D B U - P
 Series No. of Pin Count G:Gold Plated 00:G/F D:SMD Type B:Black U:Tube Package T:Tape & Reel Package P:Plastic Pad Blank:W/O Pad

Tolerances	Dwg. No.	3216D01002	
x = ±0.5	Projection		
.x = ±0.25	Unit	mm	Scale 1:1
.xx = ±0.15	Drawn By	Peggy 12/21'15	

Title: 3216 Series
 Box Header 1.27mmX1.27mm
 SMD Type
 ①538

OUPIN			
OUPIN ELECTRONIC(KUNSHAN) CO., LTD.			
P/N: 3216-xxG00DBU-P			
SHEET	1/1	Ver. No.	B6