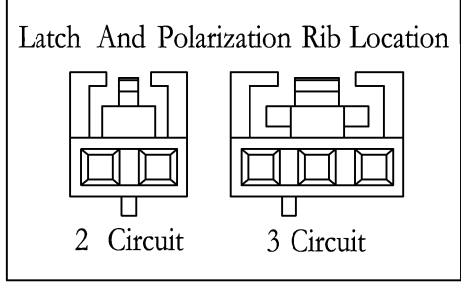
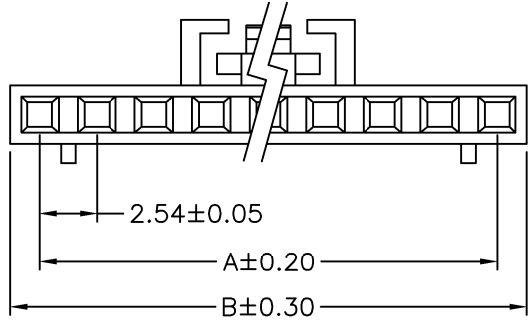


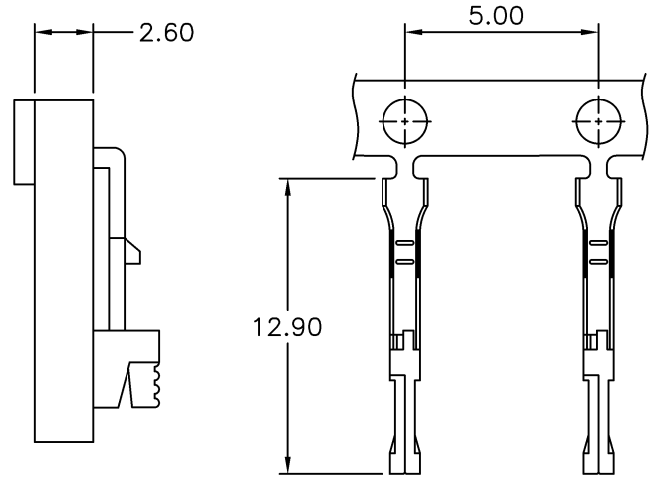
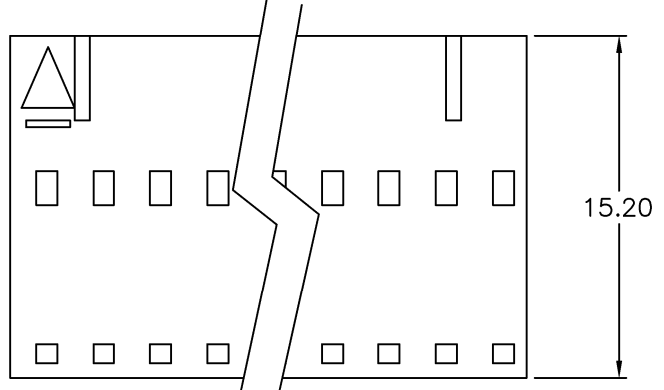
| | | | |
|------|---------------|---------|-------|
| REV. | SPECIFICATION | ECN NO. | APPD. |
| | | | |



Material:
Housing: PBT, UL94V-0, Black.
Contacts: Phosphor Bronze, 100u" Tin Plated over Nickel 30u".
Recommend Wire: 24~30AWG.

Electrical Characteristics:
Current Rating: 2.5 AMP.
Dielectric Withstanding Voltage: AC 800V.
Insulation Resistance: 1000MΩ min.
Contact Resistance: 30mΩ max.
Operating Temperature: -25°C~+85°C.

***RoHS Compliant**
Note: DIM.B Tolerance
02~10P->±0.25 ; 11~15P->±0.30 ; 16~25P->±0.40



| Positions | Dimension | |
|-----------|-----------|-------|
| | A | B |
| 2 | 2.54 | 5.20 |
| 3 | 5.08 | 7.80 |
| 4 | 7.62 | 10.30 |
| 5 | 10.16 | 12.90 |
| 6 | 12.70 | 15.40 |
| 7 | 15.24 | 18.00 |
| 8 | 17.78 | 20.50 |
| 9 | 20.32 | 23.10 |
| 10 | 22.86 | 25.60 |
| 11 | 25.40 | 28.10 |
| 12 | 27.94 | 30.70 |
| 13 | 30.48 | 33.20 |
| 14 | 33.02 | 35.80 |
| 15 | 35.56 | 38.30 |
| 16 | 38.10 | 40.90 |
| 17 | 40.64 | 43.40 |
| 18 | 43.18 | 46.00 |
| 19 | 45.72 | 48.50 |
| 20 | 48.26 | 51.10 |
| 21 | 50.80 | 53.60 |
| 22 | 53.34 | 56.20 |
| 23 | 55.88 | 58.70 |
| 24 | 58.42 | 61.20 |
| 25 | 60.96 | 63.80 |

4077- xx H B
Series No.of Position H: Housing B: Bulk Package

4077- PIN-T-15K
Series T: Tin Plated 15K Pins Per Reel

| | | | | |
|--------------|------------|----------------|-------------------------|-------------|
| Tolerances | Dwg. No. | 4077H02001 | Title: | 4077 Series |
| .x = ±0.35 | Projection | | 2.54mm wire to Board | |
| .xx = ±0.25 | Unit | mm | CD-Rom Housing&Terminal | |
| .xxx = ±0.15 | Scale | 1:1 | | |
| | Drawn By | Jerry 10/28'19 | | |
| | | | | |

OUPIIN
OUPIIN ELECTRONIC(KUNSHAN) CO., LTD.
P/N: 4077-xxHB&4077-PIN-T-15K

| | | | |
|-------|-----|---------|----|
| SHEET | 1/1 | Ver.No. | A5 |
|-------|-----|---------|----|