

REV.	SPECIFICATION	ECN NO.	APPD.

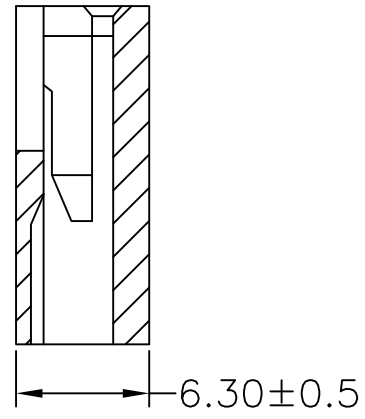
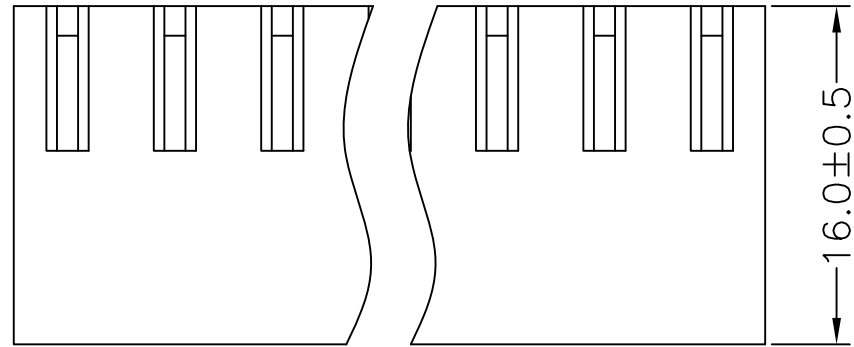
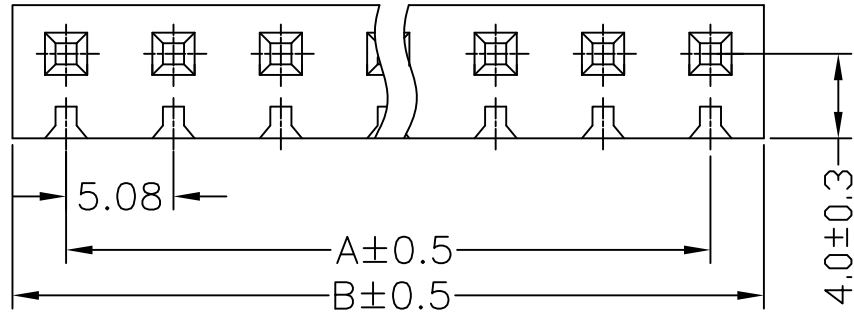
Material:

Housing: Thermoplastic Polyester UL94V-2.

Electrical Characteristics:

Operating Temperature: -25°C~+85°C

***RoHS Compliant**



Position	Dimension	
	A	B
2	5.08	10.16
3	10.16	15.24
4	15.24	20.32
5	20.32	25.40
6	25.40	30.48
7	30.48	35.56
8	35.56	40.64
9	40.64	45.72
10	45.72	50.80

4871- xx H N B
 Series No. of Position H:Housing N:W/O Locking Ramp B:Bulk Package

Tolerances	Dwg. No.	4871H02001	Title:	
x = ±0.5	Projection		4871 Series Housing	
.x = ±0.25	Unit	mm	Scale	1:1
.xx = ±0.15	Drawn By	Vic Lyu12/10'15	① 704	

OUPIIN ELECTRONIC(KUNSHAN) CO., LTD.			
P/N: 4871-xxHNB			
SHEET	1/1	Ver.No.	A6