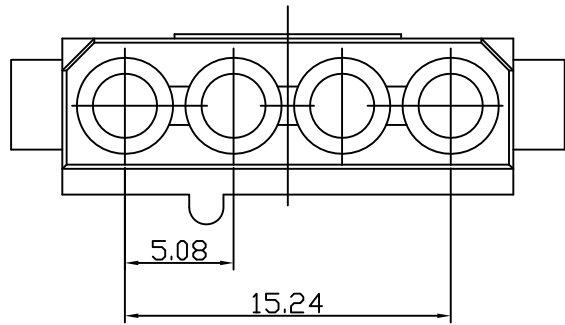


REV.	SPECIFICATION	ECN NO.	APPD.



Material:

Housing: Thermoplastic Polyester UL94V-2

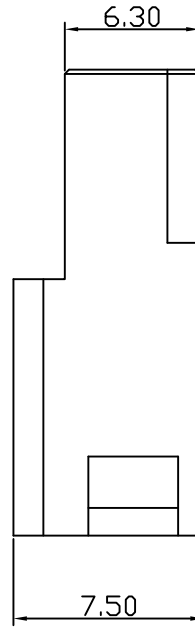
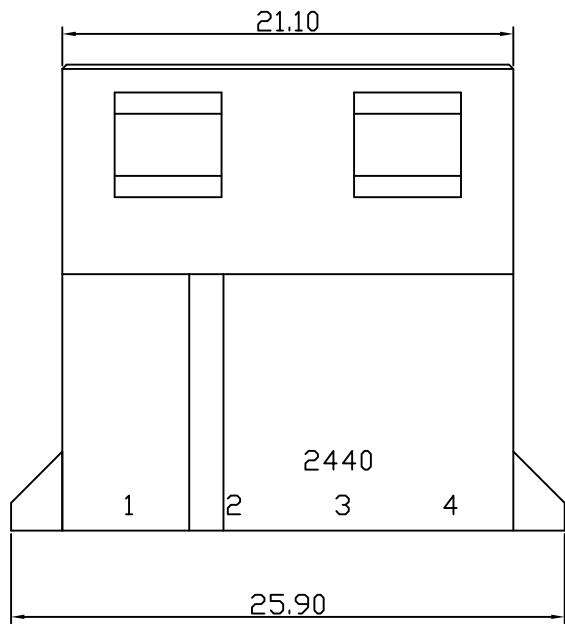
Electrical Characteristics:

Dielectric Withstanding Voltage: AC 1500V For 1 minute.

Insulator Resistance: 1000MΩ min. at DC 100V.

Operating Temperature: -25°C ~ +85°C .

***RoHS Compliant**



4874- 04 F H B
 Series No. of Position Female Housing Bulk Package

Tolerances	Dwg. No.	4874H02001	
x = ±0.50	Projection	⊕ ↗	
.x = ±0.35	Unit	mm	Scale 1:1
.xx = ±0.25	Drawn By	Vic Lyu11/13'14	

Title: 4874 Series
 Housing Female Type
 Pitch 5.08mm



OUPIIN ELECTRONIC(KUNSHAN) CO., LTD.

P/N: 4874-04FHB

SHEET	1/1	Ver.No.	A5
-------	-----	---------	----

① 704