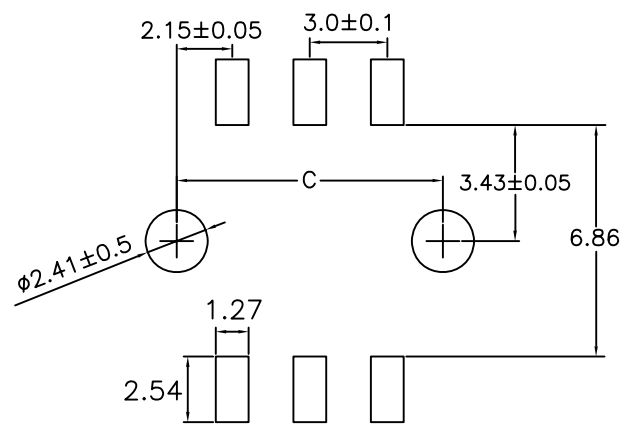
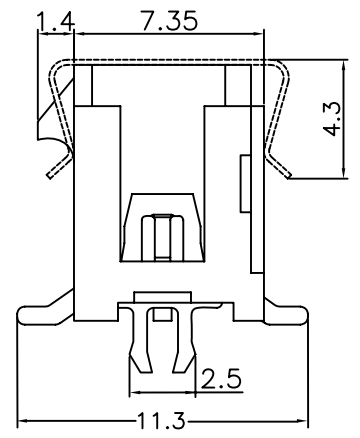
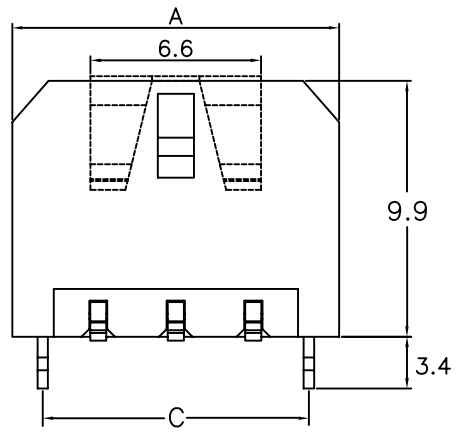
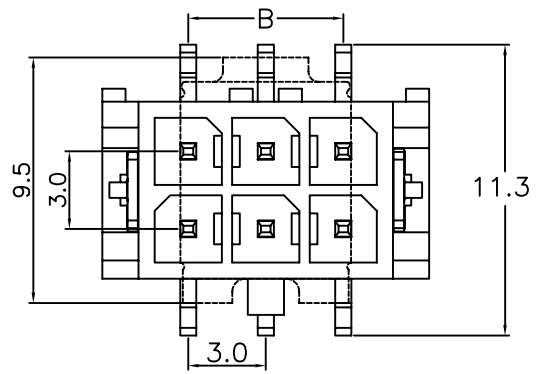


REV.	SPECIFICATION	ECN NO.	APPD.



P. C. Board Layout

Material:

Housing: High Temperature Housing UL94V-0.
Contact: Copper Alloy.

Electrical Characteristics:

Current Rating: 5.0 AMP
Voltage Rating: 250V DC/AC RMS.
Dielectric Withstanding Voltage: 1500V AC.
Insulator Resistance: 1000MΩ min.
Contact Resistance: 10mΩ max.
Operating Temperature: -25°C ~ +85°C.

***RoHS Compliant**

4976- 2 X xx T D 3 L T -M
Series Double No. of Pin Per Row T: Tin Plated D: SMD Type 3: Vertical L: With Lock T: Tape & Reel Package M: Metal Pad

Position	2 Thru 24
Dimension	
A	3.00 X (No. of Positions/2)+3.65
B	3.00 X (No. of Positions/2-1)
C	3.00 X No. of Positions/2+1.3

Tolerances	Dwg. No.	4976D01013	Title:
x = ±0.5	Projection		4976 Series 3.0mm Wafer SMD Vertical
.x = ±0.25	Unit	mm	
.xx = ±0.15	Scale	1:1	
	Drawn By	Peggy 01/21'12	0732

4976 Series
3.0mm Wafer SMD
Vertical

OUPIIN
OUPIIN ELECTRONIC(KUNSHAN) CO., LTD.
P/N: 4976-2XxxTD3LT-M

SHEET	1/1	Ver.No.	B6
-------	-----	---------	----