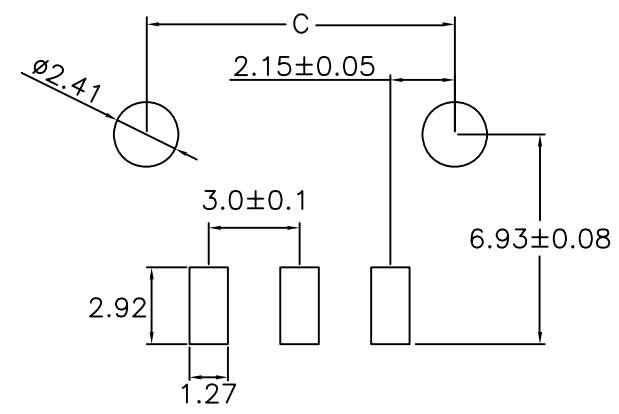
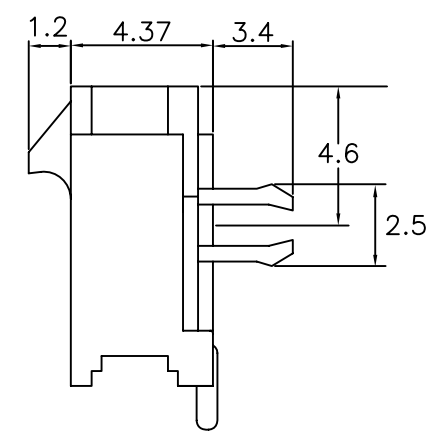
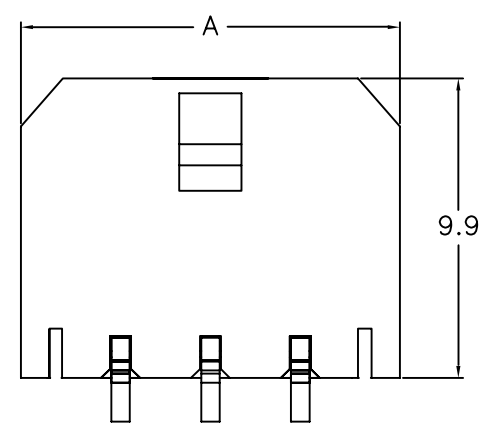
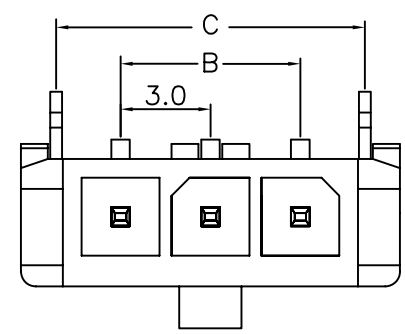


REV.	SPECIFICATION	ECN NO.	APPD.



P.C. Board Layout

Material:

Housing: High Temperature Housing UL94V-0.
 Contact: Copper Alloy.
 Lock: Copper Alloy.

Electrical Characteristics:

Current Rating: 5.0 AMP Max.
 Dielectric Withstanding Voltage: 1500V AC.
 Voltage Rating: 250V DC/AC RMS.
 Insulator Resistance: 1000MΩ min.
 Contact Resistance: 10mΩ max.
 Operating Temperature: -25°C ~+85°C.

***RoHS Compliant**

4976- 1 X xx T D 1 L T
 Series Single Row No. of Position T: Tin Plated D: SMD Type 1: Right Angle L: With Lock T: Tape & Reel Package

Position	2 Thru 12
Dimension	
A	3.00 X No. of Positions+3.65
B	3.00 X (No. of Positions-1)
C	3.00 X No. of Positions+1.3

Tolerances	Drawn No.	4976D01007
x = ±0.5	Projection	
.x = ±0.25	Unit	mm
.xx = ±0.15	Scale	1:1
	Drawn By	Peggy 03/28'11

Title:
 4976 Series
 3.0mm Wafer SMD
 Right Angle
 0732

OUPIIN ELECTRONIC(KUNSHAN) CO., LTD.			
P/N: 4976-1XxxTD1LT			
SHEET	1/1	Ver.No.	B2