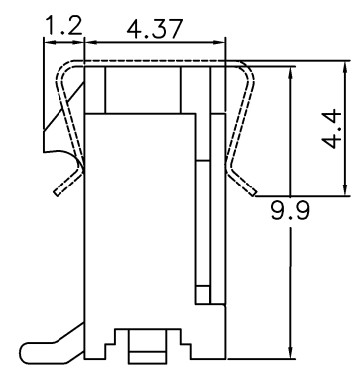
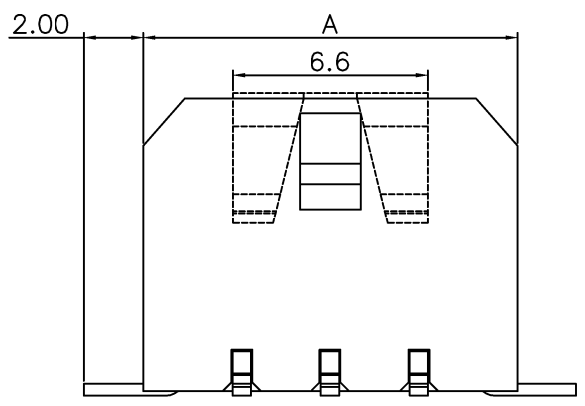
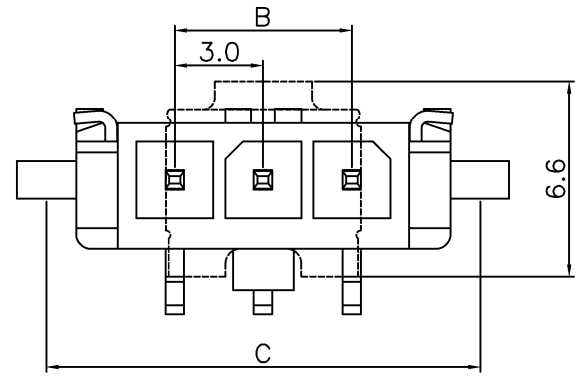


REV.	SPECIFICATION	ECN NO.	APPD.



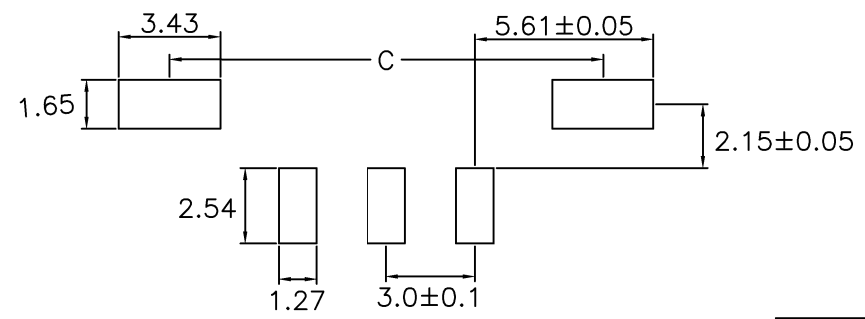
Material:

Housing: LCP, UL94V-0, Black.
 Contact: Brass, 100u" Tin Plated over 30u" Nickel.
 Solder Tab: Brass, 100u" Tin Plated over 30u" Nickel.

Electrical Characteristics:

Current Rating: 5.0 AMP
 Dielectric Withstanding Voltage: 1500V AC.
 Voltage Rating: 250V DC/AC.
 Insulator Resistance: 1000MΩ min.
 Contact Resistance: 10mΩ max.
 Operating Temperature: -25°C ~+85°C.

***RoHS Compliant**



P.C. Board Layout

4976- 1 X xx T D 3 T -M
 Series Single Row No. of Pin Per Row T: Tin Plated D: SMD Type 3: Vertical T: Tape & Reel Package M: Metal Pad

Positions	2 Thru 12
Dimension	
A	3.00 X No. of Positions+3.65
B	3.00 X (No. of Positions-1)
C	3.00 X No. of Positions+5.65

Tolerances	Drawn No.	4976D01010
x = ±0.5	Projection	⊕ ⊖
.x = ±0.25	Unit	mm
.xx = ±0.15	Scale	1:1
	Drawn By	Jerry 05/29'20

Title: 4976 Series
 3.0mm Wire to Borad
 Double Row SMD Type
 Top Entry

OUPIIN			
OUPIIN ELECTRONIC(KUNSHAN) CO., LTD.			
P/N: 4976-1XxxTD3T-M			
SHEET	1/1	Ver.No.	B4

⊙667