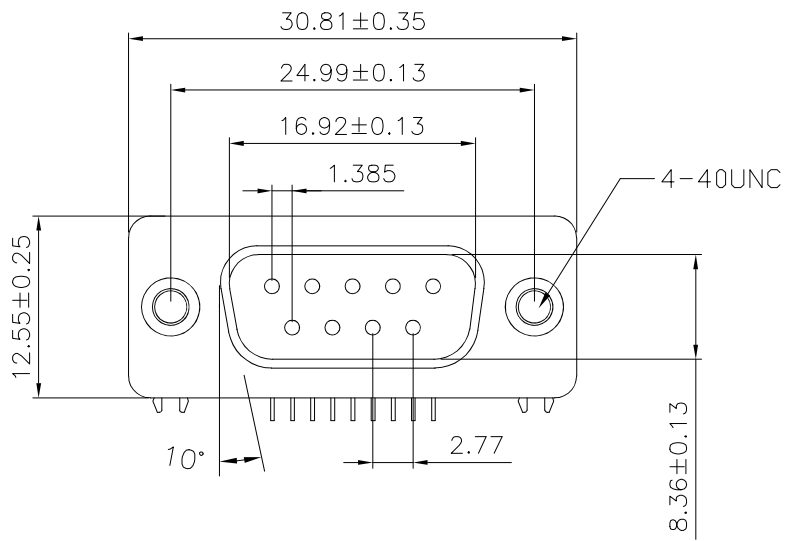
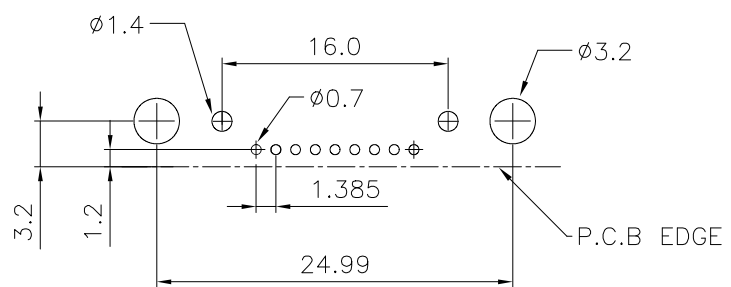
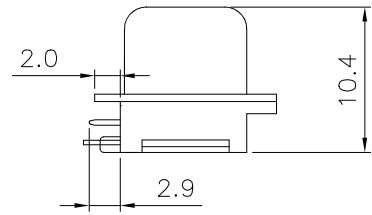
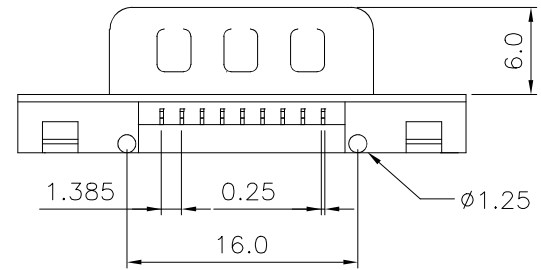


REV.	SPECIFICATION	ECN NO.	APPD.



Material:
Housing: LCP,UL94V-0.
Contacts: Brass,Gold Plated on Contact Area and 80u" Min Tin Plated on solder tail over Nickel 30u" Min.
Shell: Steel.
Electrical Characteristics:
Current Rating: 1 AMP.
Insulation Resistance: 1000MΩ min.
Contact Resistance: 20mΩ max.
Operating Temperature: -30°C~+105°C.
***RoHS Compliant**



7902-A 09 M C 00 R 3 A
Series ———— A: Tray Package
Position ———— 3:Type 3
M: Male ———— R: Right Angle Type
C: Selective Gold Plated ———— 00: Gold Flash

P.C.Board Layout

Tolerances	Dwg. No.	7902D01007	Title:		OUPIIN OUPIIN ELECTRONIC(KUNSHAN) CO., LTD. P/N: 7902-A09MC00R3A
x = ±0.5	Projection		7902-A Series		
.x = ±0.25	Unit	mm	Scale	1:1	
.xx = ±0.15	Drawn By	Martin 09/22'22	SLIM D-SUB Right Angle Type		
					SHEET
					1/1
					Ver.No.
					B2