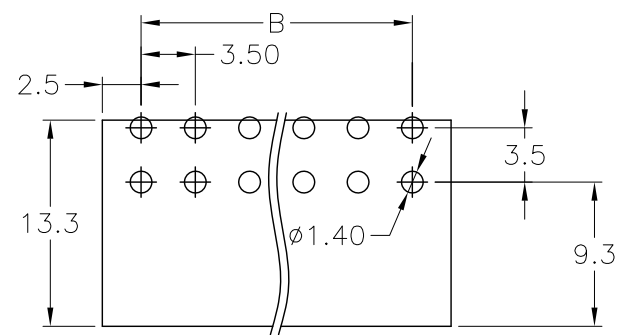
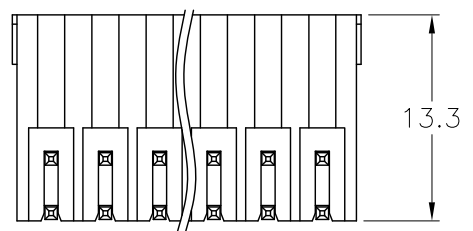
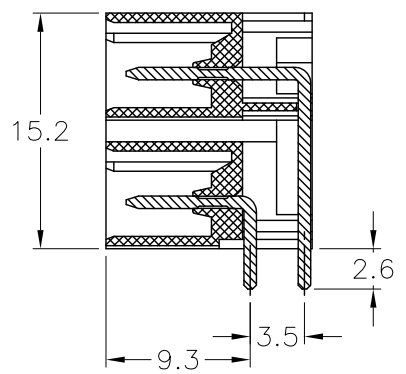
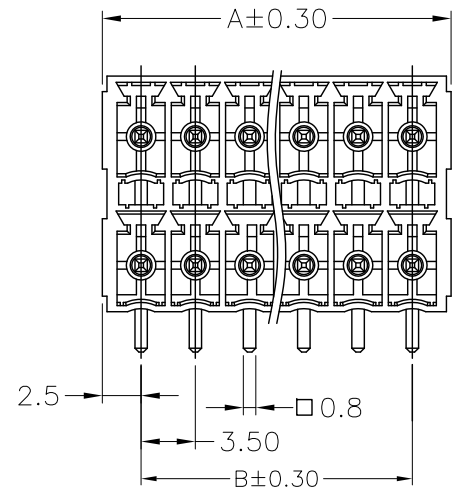


REV.	SPECIFICATION	ECN NO.	APPD.



P.C.Board Layout

Material:
Housing: PA66, UL94V-0.
Contacts: Brass, Tin Plated.
Electrical Characteristics:
Voltage Rating: 160V
Current Rating: 5.5 A.
Withstanding Voltage: 1.32KV.
Operating Temperature: $-40^{\circ}\text{C} \sim +115^{\circ}\text{C}$.
***RoHS Compliant**

8930- C 133152 G BA xx R B
Series — C:Pitch 3.5mm — Manufacturing Code — G:Green — B:Black — U:Blue — O:Orange
— BA:Close Type — B: Bulk Package for 4~8Pos. — Box Package for 10~48Pos. — R:Right Angle — No. of Positions — 04:2x02 Pos. — 48:2x24 Pos. —

Position	4 Thru 48
Dimension	
A	No.of Positions/2*3.5+1.5
B	(No.of Positions/2-1)*3.5

Tolerances	Dwg. No.	8930D01009	Title:
x = ± 0.50	Projection	\oplus \triangleleft	8930 Series
.x = ± 0.30	Unit	mm	3.5mm Terminal Block
.xx = ± 0.15	Scale	1:1	
	Drawn By	Lucas 05/16'17	① 780

OUPIN
OUPIN ELECTRONIC(KUNSHAN) CO., LTD.
P/N: 8930-C133152GBAxxRB
SHEET 1/1 Ver.No. A7