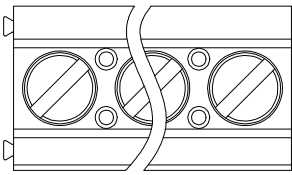
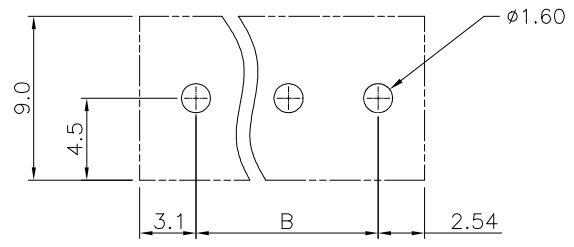
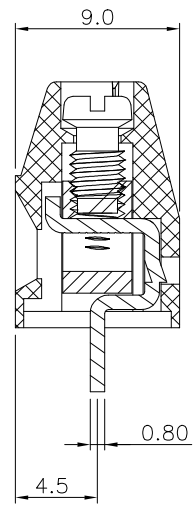
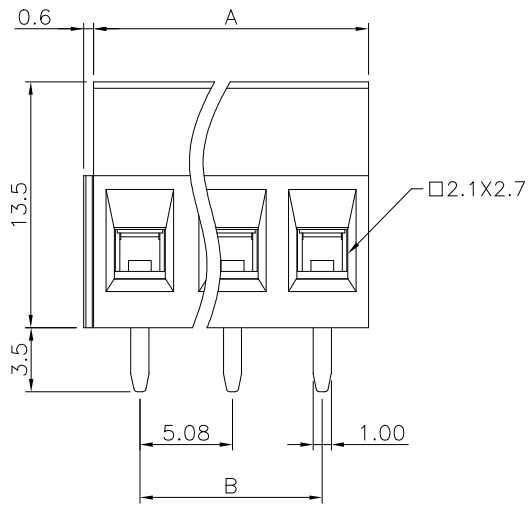


REV.	SPECIFICATION	ECN NO.	APPD.



Material:
Housing: PA66,UL94V-0.
Contact Pin: Brass, Tin Plated.
Clamp: Brass, Ni Plated.
Screw: Steel, Zinc Plated. M3.
Electrical Characteristics:
Voltage Rating: 300V.
Current Rating: 16A.
Solid Wire(AWG): 12~28.
Stranded Wire(AWG): 12~28.
Torque: 3.5Lb-In.
Wire Strip Length: 6-7mm.
Withstanding Voltage: 1.6KV.
Operating Temperature: -40°C~+115°C.
***RoHS Compliant**



P.C. Board Layout

8932- G 090135 G AA xx S B
Series: 8932- G Pitch 5.08mm
Manufacturing Code: 090135 G
G:Green B:Black Y:Gray U:Blue
AA:Slotted "-" Screw
S: Straight
xx: No. of Positions
B: Bulk Package for 02~04 pos
Box Package for 05~24 pos

Positions	Dimension		Tolerance
	A	B	
02	10.16	5.08	±0.15
03	15.24	10.16	
04	20.32	15.24	
05	25.40	20.32	
06	30.48	25.40	
07	35.56	30.48	±0.25
08	40.64	35.56	
09	45.72	40.64	
10	50.80	45.72	
11	55.88	50.80	
12	60.96	55.88	±0.35
13	66.04	60.96	
14	71.12	66.04	
15	76.20	71.12	
16	81.28	76.20	
17	86.36	81.28	±0.40
18	91.44	86.36	
19	96.52	91.44	
20	101.60	96.52	
21	106.68	101.60	
22	111.76	106.68	
23	116.84	111.76	
24	121.92	116.84	

Tolerances	Dwg. No.	8932D02009	Title:	8932 Series
x = ±0.50	Projection		5.08mm Terminal Block	
.x = ±0.30	Unit	mm	Scale	1:1
.xx = ±0.10	Drawn By	Martin 04/19'23	(Old P/N: 8800-xxTS11-05)	
			780	

OUPIIN
OUPIIN ELECTRONIC(KUNSHAN) CO., LTD.
P/N: 8932-G090135GAxxSB
SHEET 1/1 Ver.No. A3